

★
T.O. 31R2-4-18-4
(Formerly AN 16-45-436)

PARTS CATALOG

RADIO RECEIVER

MODEL SP-600-JX-17

(HAMMARLUND)

REVISION
NOTICE

LATEST REVISED PAGES SUPERSEDE
THE SAME PAGES OF PREVIOUS DATE

Insert revised pages into basic
publication. Destroy superseded pages.

PUBLISHED UNDER AUTHORITY OF THE SECRETARY OF THE AIR FORCE

Reproduction for non-military use of the information or illustrations contained in this publication is not permitted without specific approval of the issuing service (BuAer or AMC). The policy for use of Classified Publications is established for the Air Force in AFR 205-1 and for the Navy in Navy Regulations, Article 1509.

LIST OF REVISED PAGES ISSUED

INSERT LATEST REVISED PAGES. DESTROY SUPERSEDED PAGES.

NOTE: The portion of the text affected by the current revision is indicated by a vertical line in the outer margins of the page.

<i>Page</i>	<i>Date of Latest</i>
<i>No.</i>	<i>Revision</i>
*18	1 December 1957
49	1 November 1955
50	1 November 1955
*51	1 December 1957
52	1 November 1955
53	1 November 1955
54	1 November 1955

* The asterisk indicates pages revised, added or deleted by the current revision.

ADDITIONAL COPIES OF THIS PUBLICATION MAY BE OBTAINED AS FOLLOWS:

USAF ACTIVITIES.—In accordance with Technical Order No. 00-5-2.
NAVY ACTIVITIES.—Submit request to nearest supply point listed below, using form NavAer-140: NAS, Alameda, Calif.; ASD, Orote, Guam; NAS, Jacksonville, Fla.; NAS, Norfolk, Va.; NASD, Oahu; NASD, Philadelphia, Pa.; NAS, San Diego, Calif.; NAS, Seattle, Wash.
 For listing of available material and details of distribution see Naval Aeronautics Publications Index NavAer 00-500.

USAF

TABLE OF CONTENTS

Section		Page
I	Introduction	1
II	Group Assembly Parts List Radio Receiver SP-600-JX-17	4
III	Reference Symbol List	46
IV	Special Service Tools List	48
V	Numerical Parts Index	49



Figure 1. Radio Receiver, Model SP-600-JX-17, Rack Mountings

SECTION I
INTRODUCTION

1-1. IDENTIFICATION. This publication is a parts catalog for the Hammarlund Radio Receiver, Diversity Model SP-600-JX-17, Rack Mountings, illustrated in figure 1.

1-2. PURPOSE. The parts catalog is intended for use by personnel concerned with supply and maintenance, for requisitioning, storing, issuing and identifying new and reclaimed parts, and for the determination of assembly and disassembly sequences. It consists of a Group Assembly Parts List, a Reference Symbol List, a Special Service Tools List, and a Numerical Parts Index. The Reference Symbol used to designate an item also identifies the item in the associated handbook publications designated T. O. 31R2-4-18-1 (formerly AN 16-45-433), T. O. 31R2-4-18-2 (formerly AN 16-45-434), and T. O. 31R2-4-18-3 (formerly AN 16-45-435), respectively concerned with the operation, service, and overhaul of the receiver.

1-3. GROUP ASSEMBLY PARTS LIST. The Group Assembly Parts List in Section II is a listing of the items comprising the receiver in their proper sequence of disassembly. Each item, whether a subassembly or part, is keyed to an illustration which shows the items comprising an assembly in isometric exploded view. The extent of the disassembly shown for each item is dependent on whether it is more practical to replace the item or any one of the parts which comprise it. Certain of the items listed in the Group Assembly Parts List are subassemblies or subsubassemblies for which certain replaceable parts comprising them are listed, so that these parts may be identified for replacement apart from the complete item. Items, if any, which need not follow a prescribed order of disassembly, such as resistors, capacitors, etc, are listed first for certain of the illustrations. The columnar headings used in the Group Assembly Parts List are defined in the following manner:

a. The Figure and Index No. associated with a specific item keys the item by Figure number or Figure and Index number to the illustration of the item in the Group Assembly Parts List.

b. The Part Number associated with a specific item identifies the item with the corresponding Hammarlund drawing-part number in all instances for items peculiar to the receiver, i. e., expressly designed, altered in design, or processed for the receiver. Commercial items are assigned the prime manufacturer's part number except in instances of Government standard items which are assigned the applicable JAN, AN, Navy, or Sig C Government numbers. Commercial hardware and other commercial items not identified by prime manufacturer's part number are designated Coml. When a part number, other than the prime manufacturer's part number, for any reason has been assigned to an item in the Group Assembly Parts List, both numbers are shown in their proper numerical sequence in the Numerical Parts Index and the number

which is not given in the Part Number column of the Group Assembly Parts List incorporates a note for reference to the proper number. A dagger (†) preceding the part number or Coml designation indicates that the part so designated is preferred, and supersedes the part which immediately follows in the list. If the preferred parts have not been stocked, or stock has been depleted, the superseded part may be used.

c. The Reference Symbol associated with a specific item is in accordance with JANP 109, Manual of Standard Descriptions, said designations providing a circuit identification for specific items in maintenance activities.

d. The Name and Description associated with a specific item is in accordance with the main modifiers describing the item as per JANP 109, Manual of Standard Descriptions. Commercial items show in parentheses the code designation assigned the name of the prime manufacturer in accordance with ANA Bulletin No. 262d, as identified in paragraph 1-7. When the item is an attaching item such as an item of hardware, it is listed immediately following the item or items it attaches and in parentheses is designated (Att. Pt.) or (Att. Pt. for items 1, 2, etc), as applicable.

e. The Units Per Assembly associated with a specific item is the numerical occurrence of the item in the assembly. When the item listed is a bulk item, AR, meaning As Required, is the symbol used to designate the Units Per Assembly. When the item listed in an assembly is relisted in a subsequent listing, then Ref, meaning included for reference only, is the symbol used to designate the Units Per Assembly. This is so since the items Units Per Assembly are accounted for the first time it is listed.

f. The designation Application associated with a specific item provides for associating a predetermined code with the item. When the items are coded a, b; c, d; e, f; g, h; i, j; k, l; m, n; or o, p; said coding is associated with two subassemblies which are similar but whose Reference Symbol is different, as are those for the items included in each. When the Application code column is blank the item is applicable without restriction to the assembly of which it is part.

1-4. REFERENCE SYMBOL LIST. The Reference Symbol List in Section III lists the Reference Symbol items included in the Group Assembly Parts List by Reference Symbol and Figure and Index No. corresponding to the item. In terms of the known Reference Symbol, the Figure and Index No. provides for the rapid location of the illustration and description of the item in the Group Assembly Parts List. The item Reference Symbols are listed in alphabetical-numerical sequence whereby the required Reference Symbol may be rapidly located in the listings.

1-5. SPECIAL SERVICE TOOLS LIST. The Special Service Tools List in Section IV illustrates and identifies the special service tools used during the dis-

assembly and subsequent reassembly of the receiver. Each tool is identified by Hammarlund Tool Number, Tool Name, and its receiver Application. The tool Figure and Index Number keys the tool to its illustration.

1-6. NUMERICAL PARTS INDEX. The Numerical Parts Index in Section V lists each item appearing in the Group Assembly Parts List by Part Number, or main noun modifier in instances of commercial (Coml) items. The Coml items are listed first in alphabetical order and are followed by the Part Number items in alphabetical-numerical sequence. The part number arrangement begins with the extreme left-hand position and continues from left to right, one position at a time, thereby resulting in the numerical arrangement used. The order of precedence of the first position arrangement is by letters from A through Z and then by numerals from 0 through 9; alphabetic O's being considered as numeric zeros. Second and succeeding position arrangements are by space (blank column), dash (-), letters A through Z, and numerals 0 through 9; alphabetic O's being considered as numeric zeros. When a Part Number or main noun modifier is applicable to several Figure and Index Numbers each occurrence is listed in the index, except in instances of Government Standard Parts for which the Figure and Index Number of the first occurrence only of such a part in the Group Assembly Parts List is listed in the index. In each instance the Numerical Parts Index lists the Stock Number (Code and Serial), and the Total Per Equipment or quantity complement of the item for the receiver.

1-7. MANUFACTURER'S CODE DESIGNATIONS. The following list identifies the code applicable to a specific manufacturer.

CODE	MANUFACTURER'S NAME
AB	Allen-Bradley Co. New York, N. Y.
AEV	Aerovox Corp. New Bedford, Mass.
ALN	Allen Mfg. Co., The Hartford, Conn.
ALP	Alden Products Co. Brockton, Mass.
AMP	American Phenolic Corp. New York, N. Y.
BBR	Birnback Radio Co. New York, N. Y.
BEI	Beede Electrical Instrument Co. Penacook, N. H.
BHE	Birtcher Corp. Los Angeles, Cal.
BLY	Bliley Electric Co. New York, N. Y.

CODE	MANUFACTURER'S NAME
BUS	Bussmann Mfg. Co. New York, N. Y.
BWA	Barnes Wallace Co. Bristol, Conn.
CAF	Canfield Rubber Co. New York, N. Y.
CHL	Crowley, Henry L., and Co., Inc. West Orange, N. J.
CIN	Cinch Mfg. Corp. New York, N. Y.
CUT	Cutler-Hammer, Inc. New York, N. Y.
EBY	Eby, Hugh H. Inc. Philadelphia, Pa.
ELII	Electrical Industries, Inc. Newark, N. J.
FNK	Franklin, A. W., Mfg. Corp. Long Island City, N. Y.
GRE	Graybar Electric Co., Inc. New York, N. Y.
HAH	Hart and Hegeman New York, N. Y.
HEMA	Heyman Mfg. Co. Kenilworth, N. J.
HU	Houston Corp. Los Angeles, Cal.
ICA	Insuline Corp. of America Long Island City, N. Y.
IFCO	Industrial Fastener Corp. New York, N. Y.
IRC	International Resistance Co. Philadelphia, Pa.
ISO	Isolantite, Inc. Sterling, N. J.
IVI	Irvington Varnish and Insulator Co. Irvington, N. J.
JFE	Jeffers Electronics Co. St. Mary's, Pa.
JNS	Jones, Howard B. Chicago, Ill.
LTF	Littelfuse, Inc. Chicago, Ill.
LTJI	T. J. Long, Inc. Carle Place, L. I.

CODE	MANUFACTURER'S NAME
MAL.	Mallory, P. R. and Co., Inc. New York, N. Y.
MSM.	Metal Specialties Mfg. Co. Long Island City, N. Y.
MODE	Model Eng. and Mfg. Co. Huntington, Ind.
NL.	National Lock Washer Co., The Newark, N. J.
NVF.	National Vulcanized Fibre Co. New York, N. Y.
OAK.	Oak Mfg. Co. Chicago, Ill.
PHE.	Pheoll Mfg. Co. New York, N. Y.
RAMT.	Radio Materials Corp. Chicago 18, Ill.
SH.	Shakeproof, Inc. Elgin, Ill.
SKL.	Sickles, F. W. Springfield, Mass.
SWLC	Schott, Walter L., Co. New York, N. Y.
TIN	Tinnerman Products, Inc. Cleveland, Ohio

CODE	MANUFACTURER'S NAME
TTE.	Times Facsimile Corp. New York, 19, N. Y.
UNT.	United Transformer Co. New York, N. Y.
WS.	Weston Electrical Instrument Corp. New York, N. Y.
ZE	Zierick Mfg. Corp. New Rochelle, N. Y.

1-8. ITEM IDENTIFICATION. To facilitate the rapid and accurate use of the catalog, use one of the following procedures to identify the item.

a. When the Part Number is known: If it is desired to find the illustration or description of an item and the part number is known, refer to the Numerical Parts Index, Section V. Find the part number in the Part Number column. The corresponding number in the Figure and Index Number column is the figure and index number of the illustration and listing of the item in the Group Assembly Parts List, Section II.

b. When the Part Number is not known: If it is desired to find the part number of an item, refer to the applicable illustration of the assembly in which the item is used. Locate the item on the illustration, find its index number, and then refer to the associated item list to determine the part number.

c. When the Reference Symbol is known: If it is desired to find the part number, description, or illustration of an item and the Reference Symbol is known, refer to the Reference Symbol List, Section III, to determine the figure and index number of the item.

SECTION II
GROUP ASSEMBLY PARTS LIST

FIG & INDEX NO.	PART NUMBER	REF SYMBOL	NAME AND DESCRIPTION							UNITS PER ASSY	APPLI- CATION
			1	2	3	4	5	6	7		
			RADIO RECEIVER SP-600-JX-17, RACK MOUNTINGS								
2	33910-2	-	Radio Receiver SP-600-JX-17, Rack Mountings							1	
-1	33911-2	-	. Chassis and Panel Assembly (See Figure 3 for assy breakdown)							1	
-2	31145-1	-	. Plate, bottom							1	
-3	Coml	-	. Screw, mach: slot drive; binding hd; steel, cad. pl; No. 10-32, 5/16 in. lg; incl ext tooth steel cad. pl washer 0.408 in. dia x 0.024 in. thick (IFCO) (Att. Pt.)							7	
-4	31476-1	-	. Plate, cover							1	
-5	10041-1	-	. Screw, thumb (Att. Pt.)							4	
-6	31477-1	-	. Packing, rubber							1	

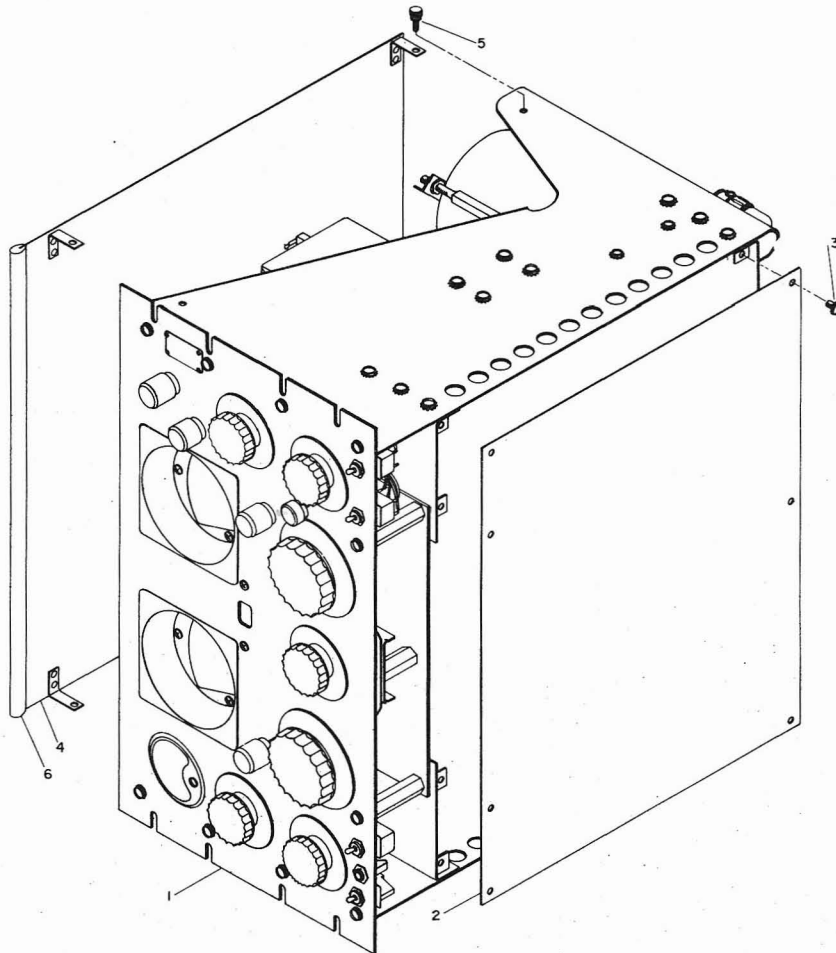


Figure 2. Radio Receiver SP-600-JX-17 Rack Mountings

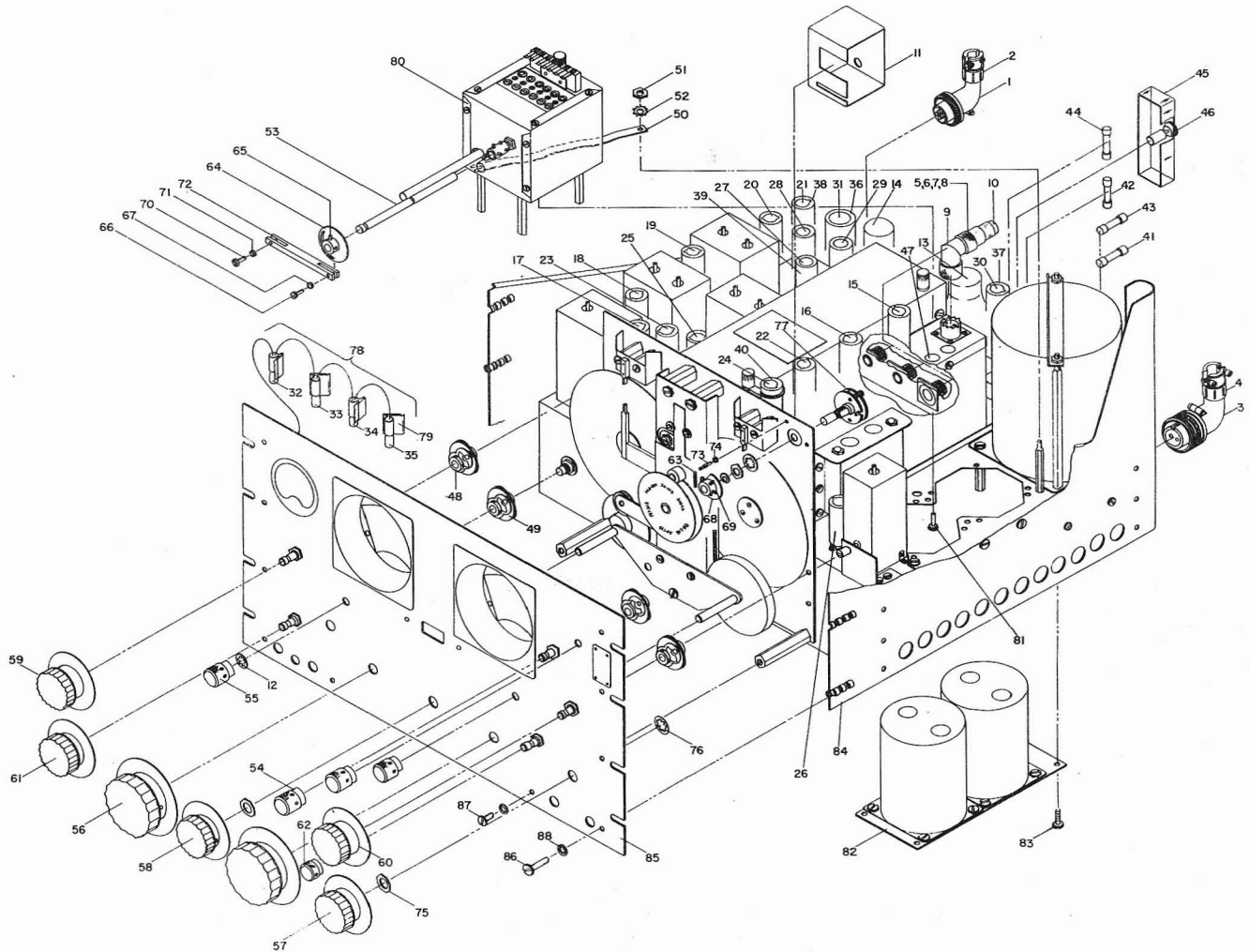


Figure 3. Chassis and Panel Assembly

FIG & INDEX NO.	PART NUMBER	REF SYMBOL	NAME AND DESCRIPTION							UNITS PER ASSY	APPLI- CATION
			1	2	3	4	5	6	7		
3	33911-2	-	RADIO RECEIVER SP-600-JX-17, RACK MOUNTINGS CHASSIS AND PANEL ASSEMBLY								
-1	AN3108B-14S-2P	P4	Chassis and Panel Assembly (See Figure 2-1 for next higher assy)							Ref	
-2	AN3057-6	-	. Connector, male contact: angle							1	
-3	AN3108B-18-3S	P5	. Clamp, cable: for P4; with rubber washer, screws, and lockwashers							1	
-4	AN3057-10	-	. Connector, female contact: angle							1	
-5	PL-259	P1	. Clamp, cable: for P5; with rubber washer, screws, and lockwashers							1	
-6	PL-259	P2	. Connector, male contact (Sig C)							1	
-7	PL-259	P6	. Connector, male contact (Sig C)							1	
-8	PL-259	P7	. Connector, male contact (Sig C)							1	
-9	M-359	-	. Connector, male and female contact: for P1, P2, P6, and P7 (Sig C)							4	
-10	16642-1	-	. Adapter, reducer: for P1, P2, P6, and P7 (Altered from Part No. 83-168 AMP)							4	
-11	33924-1	-	. Shield, contact: for S3 switch							1	
-12	AN936A616	-	. Washer, lock: at tuning lock, S12, and S13 (Att. Pt.)							3	
-13	JAN 5R4GY	V19	. Tube, electron [MIL-E-1B (1)]							1	
-14	JAN 6V6GT	V17	. Tube, electron [MIL-E-1B (1)]							1	
-15	†JAN 5749/6BA6W	V1	. Tube, electron [MIL-E-1B (1)]							1	
-15	JAN 6BA6	V1	. Tube, electron [MIL-E-1B (1)]							1	

FIG & INDEX NO.	PART NUMBER	REF SYMBOL	NAME AND DESCRIPTION							UNITS PER ASSY	APPLI- CATION	
			1	2	3	4	5	6	7			
RADIO RECEIVER SP-600-JX-17, RACK MOUNTINGS CHASSIS AND PANEL ASSEMBLY (cont)												
3-16	†JAN 5749/6BA6W	V2	1	
-16	JAN 6BA6	V2	1	
-17	†JAN 5749/6BA6W	V7	1	
-17	JAN 6BA6	V7	1	
-18	†JAN 5749/6BA6W	V9	1	
-18	JAN 6BA6	V9	1	
-19	†JAN 5749/6BA6W	V10	1	
-19	JAN 6BA6	V10	1	
-20	†JAN 5749/6BA6W	V11	1	
-20	JAN 6BA6	V11	1	
-21	†JAN 5749/6BA6W	V12	1	
-21	JAN 6BA6	V12	1	
-22	JAN 6BE6	V5	1	
-23	JAN 6BE6	V6	1	
-24	JAN 6C4	V4	1	
-25	JAN 6C4	V8	1	
-26	JAN 6C4	V13	1	
-27	JAN OA2	V18	1	
-28	†JAN 5726/6AL5W/ 6097	V14	1	
-28	JAN 6AL5	V14	1	
-29	†JAN 5726/6AL5W/ 6097	V15	1	
-29	JAN 6AL5	V15	1	
-30	†JAN 5726/6AL5W/ 6097	V20	1	
-30	JAN 6AL5	V20	1	
-31	JAN 12AU7	V16	1	
-32	47	E101	1	
-33	47	E102	1	
-34	47	E103	1	
-35	47	E104	1	
-36	TS103U02	-	1	
-37	TS102U01	-	3	
-38	TS102U02	-	11	
-39	TS102U03	-	1	
-40	31449-1	-	1	
-41	MDL 1-6/10	F1	1	
-42	MDL 1-6/10	-	1	
-43	AGC 3/8	F2	1	
-44	AGC 3/8	-	1	
-45	31494-1	-	1	
-46	31495-1	-	1	
-47	350-2	-	10	
-48	415-3	-	3	
-49	415-2	-	1	
-50	31423-1	-	1	
-51	Com1	-	2	
-52	AN936B8	-	2	
-53	31446-1	-	1	
-54	31434-1	-	1	
-55	31434-2	-	3	
-56	31215-1	-	2	
-57	31227-1	-	1	
-58	31227-2	-	1	
-59	31227-3	-	1	
-60	31227-4	-	1	
-61	31227-5	-	1	
-62	31462-1	-	1	
-63	6039-1	-	1	
-64	31435-1	-	1	
-65	Com1	-	2	
-66	31470-1	-	1	
-67	AN935-4	-	1	
-68	31436-1	-	1	
-69	Com1	-	2	
-70	31470-1	-	1	

FIG & INDEX NO.	PART NUMBER	REF SYMBOL	NAME AND DESCRIPTION							UNITS PER ASSY	APPLI- CATION
			1	2	3	4	5	6	7		
			RADIO RECEIVER SP-600-JX-17, RACK MOUNTINGS CHASSIS AND PANEL ASSEMBLY (cont)								
3-71	AN935-4	-	1	
-72	31433-1	-	1	
-73	31437-1	-	1	
-74	AN935-6	-	1	
-75	10012-90	-	2	
-76	AN936A616	-	2	
-77	31469-1	S3	1	
-78	31453-1	-	1	
-79	81	-	4	
-80	31409-2	-	1	
-81	Com1	-	4	
-82	31447-1	-	1	
-83	Com1	-	4	
-84	33912-2	-	1	
-85	31238-4	-	1	
-86	10023-48	-	8	
-87	Com1	-	2	
-88	AN936A10	-	10	
			RADIO RECEIVER SP-600-JX-17, RACK MOUNTINGS FREQUENCY CONTROL UNIT ASSEMBLY								
4	31409-2	-	Ref	
-1	TS102U02	-	1	
-2	JAN 6AH6	V3	1	
-3	PL-259	P8	1	
-4	16642-1	-	1	
-5	Com1	-	AR	
-6	RC20BF681K	R71	1	
-7	Com1	-	AR	
-8	31411-1	-	1	
-9	Com1	-	12	
-10	31419-1	-	3	
-11	31419-2	-	1	
-12	10052-9	-	2	
-13	33916-1	-	1	
-14	33914-1	E11	1	
-15	23071-72	C45	1	
-16	†Com1	C60	1	
-16	Com1	C60	1	
-17	†Com1	C61	1	
-17	Com1	C61	1	
-18	15623-1	L23	1	
-19	15622-1	L35	1	
-20	RC20BF181K	R25	1	
-21	RC20BF821J	R102	1	
-22	33922-1	T35	1	
-23	Com1	-	1	
-24	AN936B6	-	1	
-25	10012-41	-	1	
-26	2104-6	-	1	
-27	AN936B6	-	1	
-28	Com1	-	2	
-29	Com1	-	2	
-30	†Com1	C101	1	
-30	Com1	C101	1	

FIG & INDEX NO.	PART NUMBER	REF SYMBOL	NAME AND DESCRIPTION							UNITS PER ASSY	APPLI- CATION
			1	2	3	4	5	6	7		
			RADIO RECEIVER SP-600-JX-17, RACK MOUNTINGS FREQUENCY CONTROL UNIT ASSEMBLY (cont)								
3-31	2666	-	.							1	
-32	Coml	-	.							AR	
-33	78	-	.							1	
-34	AN936B6	-	.							1	
-35	Coml	-	.							1	
-36	10012-41	-	.							1	
-37	Coml	-	.							1	
-38	33917-1	-	.							AR	
-39	33915-1	E12	.							1	
-40	CM30C102G	C62	.							1	
-41	CM30C102G	C64	.							1	
-42	15617-1	L21	.							1	
-43	RC20BF181K	R24	.							1	
-44	RC20BF181K	R120	.							1	
-45	RC30BF104K	R34	.							1	
-46	23003-47C	C63	.							1	
-47	10052-29	-	.							2	
-48	AN936B6	-	.							2	
-49	Coml	-	.							2	
-50	RC20BF223K	R23	.							1	
-51	15879-2	S2	.							1	
-52	10012-90	-	.							1	
-53	11726-109	C65	.							1	
-54	Coml	-	.							1	
-55	Coml	-	.							1	
-56	31275-1	-	.							1	
-57	CC-80W-PP	E19	.							1	
-58	31483-1	-	.							1	
-59	31412-1	-	.							1	
-60	9748-1	X21	.							1	
-61	9748-1	X22	.							1	
-62	9748-1	X23	.							1	

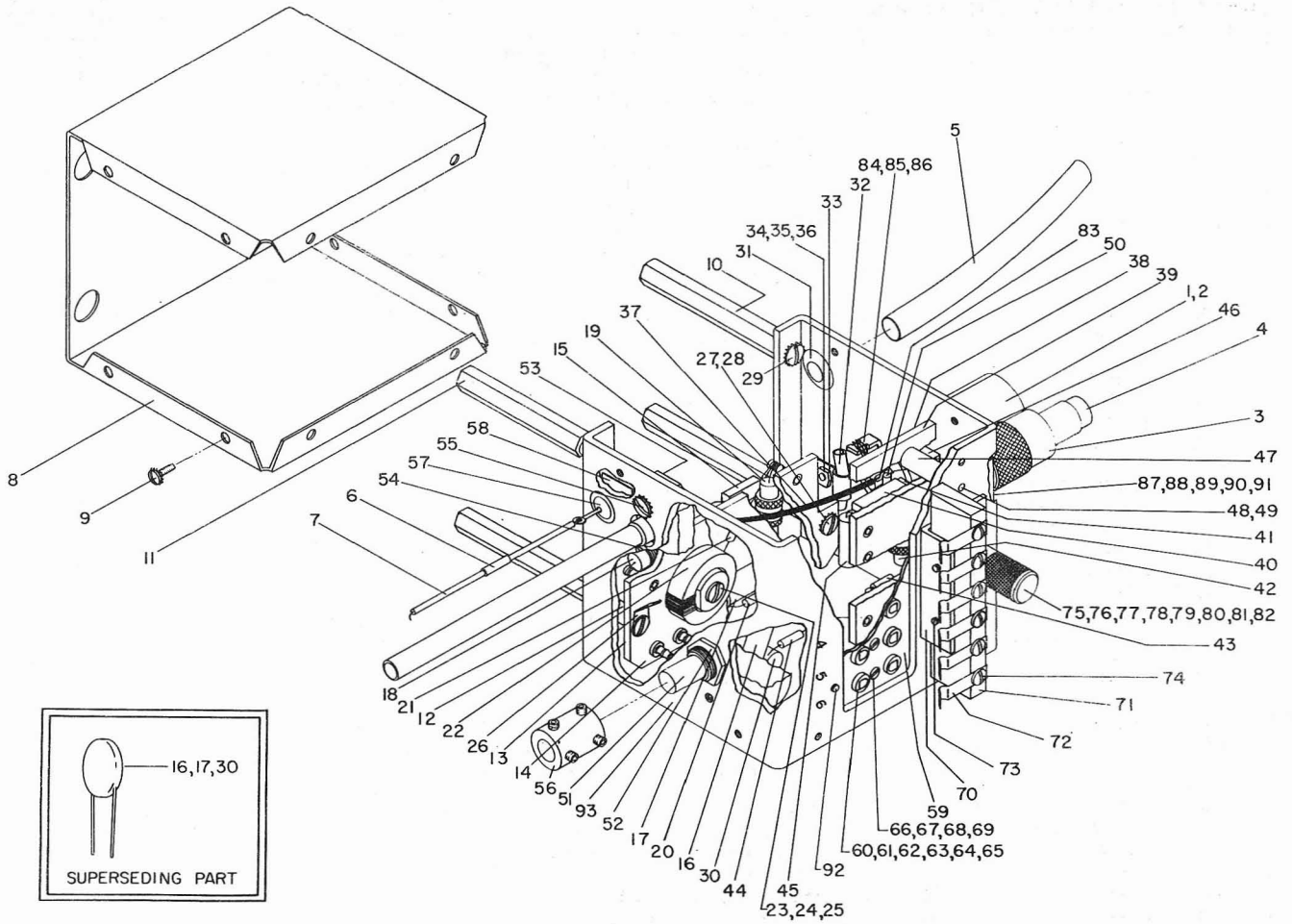


Figure 4. Frequency Control Unit Assembly

FIG & INDEX NO.	PART NUMBER	REF SYMBOL	NAME AND DESCRIPTION							UNITS PER ASSY	APPLI- CATION
			1	2	3	4	5	6	7		
RADIO RECEIVER SP-600-JX-17, RACK MOUNTINGS FREQUENCY CONTROL UNIT ASSEMBLY (cont)											
4-63	9748-1	X24	.	Socket, crystal (EBY)						1	
-64	9748-1	X25	.	Socket, crystal (EBY)						1	
-65	9748-1	X26	.	Socket, crystal (EBY)						1	
-66	Coml	-	.	Screw, mach: flat hd No. 4-40, 7/16 in. lg (PHE) (Att. Pt.)						6	
-67	10002-16	-	.	Washer, flat (NVF)						6	
-68	AN936A4	-	.	Washer, lock (Att. Pt.)						6	
-69	Coml	-	.	Nut, hex: No. 4-40 x 1/4 in. across flats (PHE) (Att. Pt.)						6	
-70	31416-1	-	.	Bracket: for crystal spring supports						1	
-71	31415-1	-	.	Support, mounting base: crystal spring support						1	
-72	31417-1	-	.	Spring, flat type						6	
-73	Coml	-	.	Screw, mach: slot drive; binding hd; steel, cad. pl; No. 6-32, 3/8 in. lg; incl ext tooth cad. pl washer 0.270 in. dia x 0.021 in. thick (IFCO) (Att. Pt.)						2	
-74	Coml	-	.	Screw, mach: slot drive; rd hd; steel, cad. pl; No. 4-40, 1/4 in. lg; incl int tooth steel cad. pl washer 0.200 in. dia x 0.019 in. thick (IFCO) (Att. Pt.)						6	
-75	31414-1	-	.	Plate, spacer						1	
-76	Coml	-	.	Screw, mach: slot drive; binding hd No. 8-32, 5/8 in. lg (PHE) (Att. Pt.)						2	
-77	Coml	-	.	Nut, hex: No. 8-32 x 11/32 in. across flats (PHE) (Att. Pt.)						2	
-78	31418-1	-	.	Bushing; spacer						4	
-79	10007-58	-	.	Washer: spacer						4	
-80	AN936A8	-	.	Washer, lock (Att. Pt.)						2	
-81	31413-1	-	.	Screw, thumb						1	
-82	WA510	-	.	Ring, retainer: "C" shape; cad. pl (NL)						1	
-83	TS102P01	X3	.	Socket, tube (JAN-S-28A)						1	
-84	16174-1	-	.	Plate, anchor: "U" shape						1	
-85	AN936A4	-	.	Washer, lock						2	
-86	Coml	-	.	Screw, mach: slot drive; rd hd; steel, cad. pl; No. 4-40, 5/16 in. lg; incl int tooth steel cad. pl washer 0.200 in. dia x 0.019 in. thick (IFCO) (Att. Pt.)						2	
-87	SO-239	J8	.	Connector, female contact (Sig C)						1	
-88	2102-4	-	.	Terminal, lug: cad. pl (SH)						1	
-89	Coml	-	.	Screw, mach: slot drive; rd hd; steel, cad. pl; No. 4-40, 1/4 in. lg; incl int tooth steel cad. pl washer 0.200 in. dia x 0.019 in. thick (IFCO) (Att. Pt.)						3	
-90	Coml	-	.	Screw, mach: slot drive; rd hd; steel, cad. pl; No. 4-40, 5/16 in. lg; incl int tooth steel cad. pl washer 0.200 in. dia x 0.019 in. thick (IFCO) (Att. Pt.)						1	
-91	Coml	-	.	Nut, hex: No. 4-40 x 1/4 in. across flats (PHE) (Att. Pt.)						1	
-92	Coml	-	.	Screw, mach: slot drive; binding hd; steel, cad. pl; No. 6-32, 1/4 in. lg; incl ext tooth steel cad. pl washer 0.270 in. dia x 0.021 in. thick (IFCO) (Att. Pt.)						2	
-93	31410-2	-	.	Container: aluminum						1	
RADIO RECEIVER SP-600-JX-17, RACK MOUNTINGS FILTER ASSEMBLY											
5	31447-1	-	.	Filter Assembly (See Figure 3-82 for next higher assy)						Ref	
-1	31286-1	-	.	Plate, mounting						1	
-2	31031-2	L52	.	Reactor: filter choke; 20 hy, 115 ma (JAN-T-27) (UNT)						1	
-3	31030-2	L51	.	Reactor: filter choke; 8.5 hy, 150 ma (JAN-T-27) (UNT)						1	
-4	31484-1	-	.	Bracket: "L" shape						2	
-5	Coml	-	.	Screw, mach: slot drive; binding hd; steel, cad. pl; No. 8-32, 3/8 in. lg; incl ext tooth steel cad. pl washer 0.317 dia x 0.021 in. thick (IFCO) (Att. Pt.)						8	
-6	AN936B8	-	.	Washer, lock (Att. Pt.)						4	
-7	Coml	-	.	Nut, hex: steel cad. pl; No. 8-32 x 11/32 in. across flats, single chamfer (PHE) (Att. Pt.)						4	
-8	Coml	-	.	Clamp: capacitor; steel, cad. pl; 1 bolt type; approx 1-3/8 in. dia x 3/8 in. wide x 0.025 in. thick; 0.144 in. dia hole on lip for mtg (MSM)						2	
-9	CE33F200R	C161	.	Capacitor, fixed; electrolytic (JAN-C-62)						1	
-10	Coml	-	.	Screw, mach: slot drive; binding hd; steel, cad. pl; No. 6-32, 5/16 in. lg; incl ext tooth steel cad. pl washer 0.270 in. dia x 0.021 in. thick (IFCO) (Att. Pt.)						2	

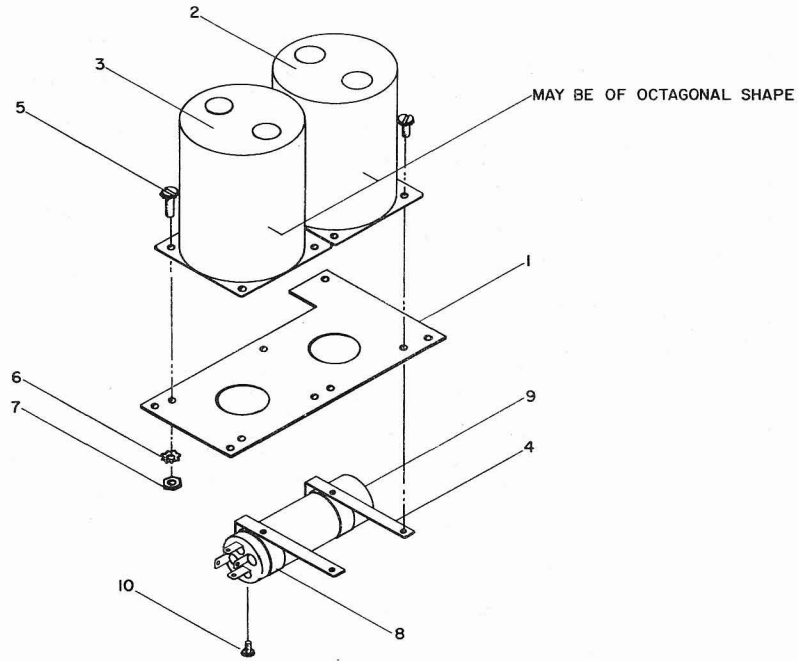


Figure 5. Filter Assembly

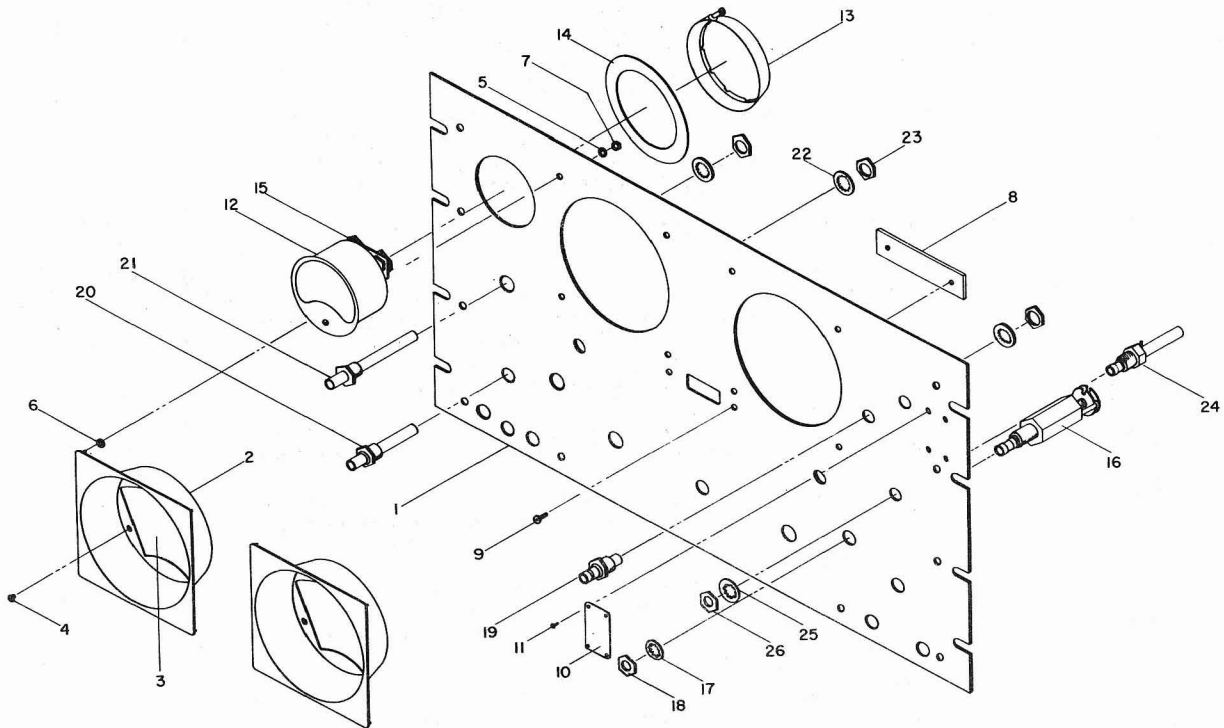


Figure 6. Panel Assembly

FIG & INDEX NO.	PART NUMBER	REF SYMBOL	NAME AND DESCRIPTION							UNITS PER ASSY	APPLI- CATION
			1	2	3	4	5	6	7		
			RADIO RECEIVER SP-600-JX-17, RACK MOUNTINGS PANEL ASSEMBLY								
6	31238-4	-	Panel Assembly (See Figure 3-85 for next higher assy)							Ref	
-1	31219-6	-	. Panel: front							1	
-2	31283-1	-	. Escutcheon							2	
-3	31281-1	-	. Glass: plexiglass							2	
-4	Coml	-	. Screw, mach: Phillips drive, binding hd; No. 4-40, 1/8 in. lg; black rust proof "penetrate" finish (PHE) (Att. Pt.)							6	
-5	AN936A4	-	. Washer, lock							8	
-6	10002-4	-	. Washer, flat: fibre (Att. Pt.)							8	
-7	Coml	-	. Nut, hex: steel, cad. pl; No. 4-40 x 1/4 in. across flats (PHE) (Att. Pt.)							8	
-8	31282-1	-	. Glass: plexiglass							1	
-9	Coml	-	. Screw, mach: Phillips drive, binding hd; No. 4-40, 1/4 in. lg; black rust proof "penetrate" finish (PHE) (Att. Pt.)							2	
-10	31463-1	-	. Chart: vinylite							1	
-11	10013-57	-	. Screw, mach (PHE) (Att. Pt.)							4	
-12	4903-2	-	. Meter, audio level: DC; 0 to 250 ua $\pm 5\%$; 1.0 ma basic movement (BEI Type 411)							1	
-13	D-54108	-	. Clamp: meter (incl adjustment screw) (WS) (Att. Pt.)							1	
-14	33908-1	-	. Washer, neoprene							1	
-15	31454-1	E18	. Board, terminal							1	
-16	31460-1	-	. Tuning Lock Assembly							1	
-17	1220-2	-	. Washer, lock: cad. pl (SH) (Att. Pt.)							1	
-18	10012-90	-	. Nut, hex (Att. Pt.)							1	
-19	31431-1	-	. Shaft and Bushing Assembly							1	
-20	31431-2	-	. Shaft and Bushing Assembly							1	
-21	31431-3	-	. Shaft and Bushing Assembly							1	
-22	AN936A616	-	. Washer, lock (Att. Pt.)							3	
-23	10012-90	-	. Nut, hex (Att. Pt.)							3	
-24	31432-1	-	. Shaft and Bushing Assembly							1	
-25	AN936A616	-	. Washer, lock (Att. Pt.)							1	
-26	10012-90	-	. Nut, hex (Att. Pt.)							1	
			RADIO RECEIVER SP-600-JX-17, RACK MOUNTINGS CHASSIS AND TUNING UNIT ASSEMBLY								
7	33912-2	-	Chassis and Tuning Unit Assembly (See Figure 3-84 for next higher assy)							Ref	
-1	9226-13	-	. Post, spacing							4	
-2	31276-1	-	. Bracket							2	
-3	Coml	-	. Screw, mach: slot drive; binding hd; steel, cad. pl; No. 6-32, 5/16 in. lg; incl ext tooth steel cad. pl washer 0.270 in. dia x 0.021 in. thick (IFCO) (Att. Pt.)							8	
-4	31199-1	-	. Pointer, indicator							2	
-5	AN936A2	-	. Washer, lock (Att. Pt.)							4	
-6	Coml	-	. Screw, mach: rd hd; steel, cad. pl; No. 2-56, 1/4 in. lg (PHE) (Att. Pt.)							4	
-7	31185-1	-	. Mounting, indicator							1	
-8	AN936A2	-	. Washer, lock (Att. Pt.)							4	
-9	Coml	-	. Screw, mach: rd hd; steel, cad. pl; No. 2-56, 1/4 in. lg (PHE) (Att. Pt.)							2	
-10	31186-1	-	. Pointer, indicator							1	
-11	Coml	-	. Screw, mach: rd hd; steel, cad. pl; No. 2-56, 3/8 in. lg (PHE) (Att. Pt.)							2	
-12	31438-1	-	. Dial: main dial							1	
-13	31439-1	-	. Dial: vernier dial							1	
-14	31083-1	-	. Washer, thrust							2	
-15	Coml	-	. Screw, mach: flat hd; steel, cad. pl No. 4-40, 1/4 in. lg (PHE) (Att. Pt.)							6	
-16	31146-2	-	. Plate, side: left							1	
-17	Coml	-	. Screw, mach: slot drive; binding hd; steel, cad. pl; No. 6-32, 5/16 in. lg; incl ext tooth steel cad. pl washer 0.270 in. dia x 0.021 in. thick (IFCO) (Att. Pt.)							1	
-18	31146-1	-	. Plate, side: right							1	
-19	31139-1	-	. Bracket: for rack mtg bottom plate							1	
-20	31142-1	-	. Plate, anchor							3	
-21	31143-1	-	. Plate, anchor							4	
-22	Coml	-	. Screw, mach: slot drive; binding hd; steel, cad. pl; No. 10-32, 3/8 in. lg; incl ext tooth steel cad. pl washer 0.408 in. dia x 0.024 in. thick (IFCO) (Att. Pt. for Items 16, 18, 19, 20 and 21.)							18	
-23	78	-	. Clamp (ZE) (Att. Pt.)							1	

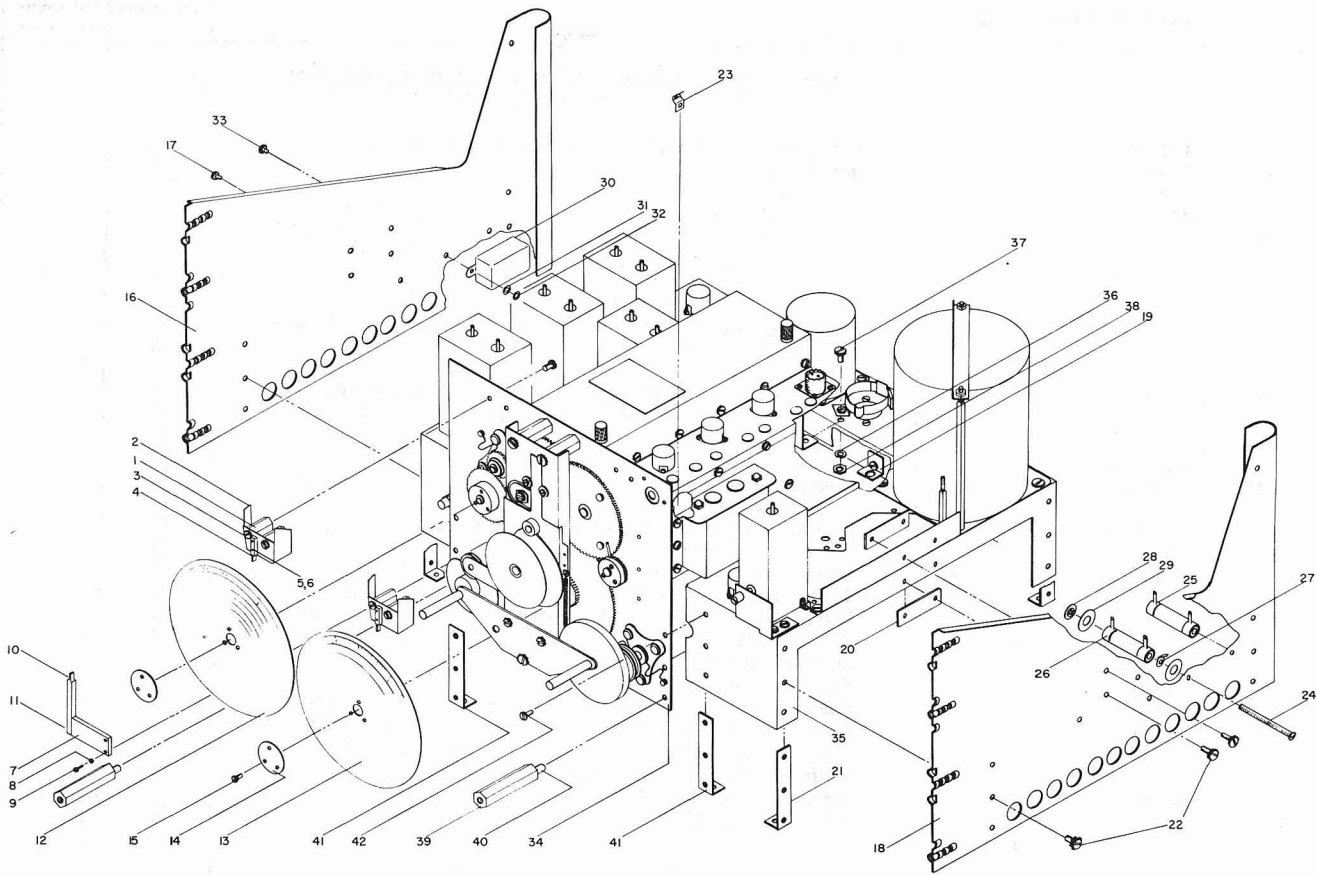


Figure 7. Chassis and Tuning Unit Assembly

FIG & INDEX NO.	PART NUMBER	REF SYMBOL	NAME AND DESCRIPTION							UNITS PER ASSY	APPLI-CATION	
			1	2	3	4	5	6	7			
			RADIO RECEIVER SP-600-JX-17, RACK MOUNTINGS CHASSIS AND TUNING UNIT ASSEMBLY (cont)									
7-24	10020-122	-	.								2	
-25	Coml	R72	.								1	
-26	Coml	R73	.								1	
-27	2104-6	-	.								1	
-28	P11003	-	.								4	
-29	10002-62	-	.								4	
-30	CP53B6EF503V	C139	.								1	
-31	AN936B6	-	.								4	
-32	10012-41	-	.								2	
-33	Coml	-	.									
			.								4	
-34	31280-3	-	.								1	
-35	33906-5	-	.								1	
-36	AN936A10	-	.								1	
-37	Coml	-	.									
			.								1	
-38	Coml	-	.								1	

FIG & INDEX NO.	PART NUMBER	REF SYMBOL	NAME AND DESCRIPTION							UNITS PER ASSY	APPLI- CATION
			1	2	3	4	5	6	7		
			RADIO RECEIVER SP-600-JX-17, RACK MOUNTINGS CHASSIS AND TUNING UNIT ASSEMBLY (cont)								
7-39	31290-1	-	2	
-40	10010-19	-	2	
-41	31143-1	-	2	
-42	Com1	-	4	
			RADIO RECEIVER SP-600-JX-17, RACK MOUNTINGS TUNING UNIT ASSEMBLY								
8	31280-3	-	Ref	
-1	11806-2	-	1	
-2	11806-3	-	1	
-3	11806-4	-	1	
-4	31452-1	-	1	
-5	31479-1	-	1	
-6	33	-	1	
-7	103	-	1	
-8	AN936B6	-	2	
-9	Com1	-	10	
-10	31128-1	-	1	
-11	Com1	-	13	
-12	31376-1	-	1	
-13	AN936B6B	-	2	
-14	10049-2	-	2	
-15	31378-1	-	1	
-16	Com1	-	6	
-17	2104-6	-	1	
-18	Com1	-	AR	
-19	78	-	4	
-20	139	-	2	
-21	31183-1	T1	1	
-22	Com1	-	4	
-23	31231-2	-	1	
-24	Com1	-	8	
-25	31155-1	-	1	
-26	Com1	-	2	
-27	34001-1	C1	1	
-28	31119-1	-	1	
-29	Com1	-	1	
-30	31129-1	-	1	
-31	Com1	-	1	
-32	Com1	C102	1	
-32	Com1	C102	1	
-33	31291-3	-	1	
-34	31387-1	E61	1	
-35	31386-1	E68	1	
-36	31386-1	E75	1	
-37	31385-1	E85	1	

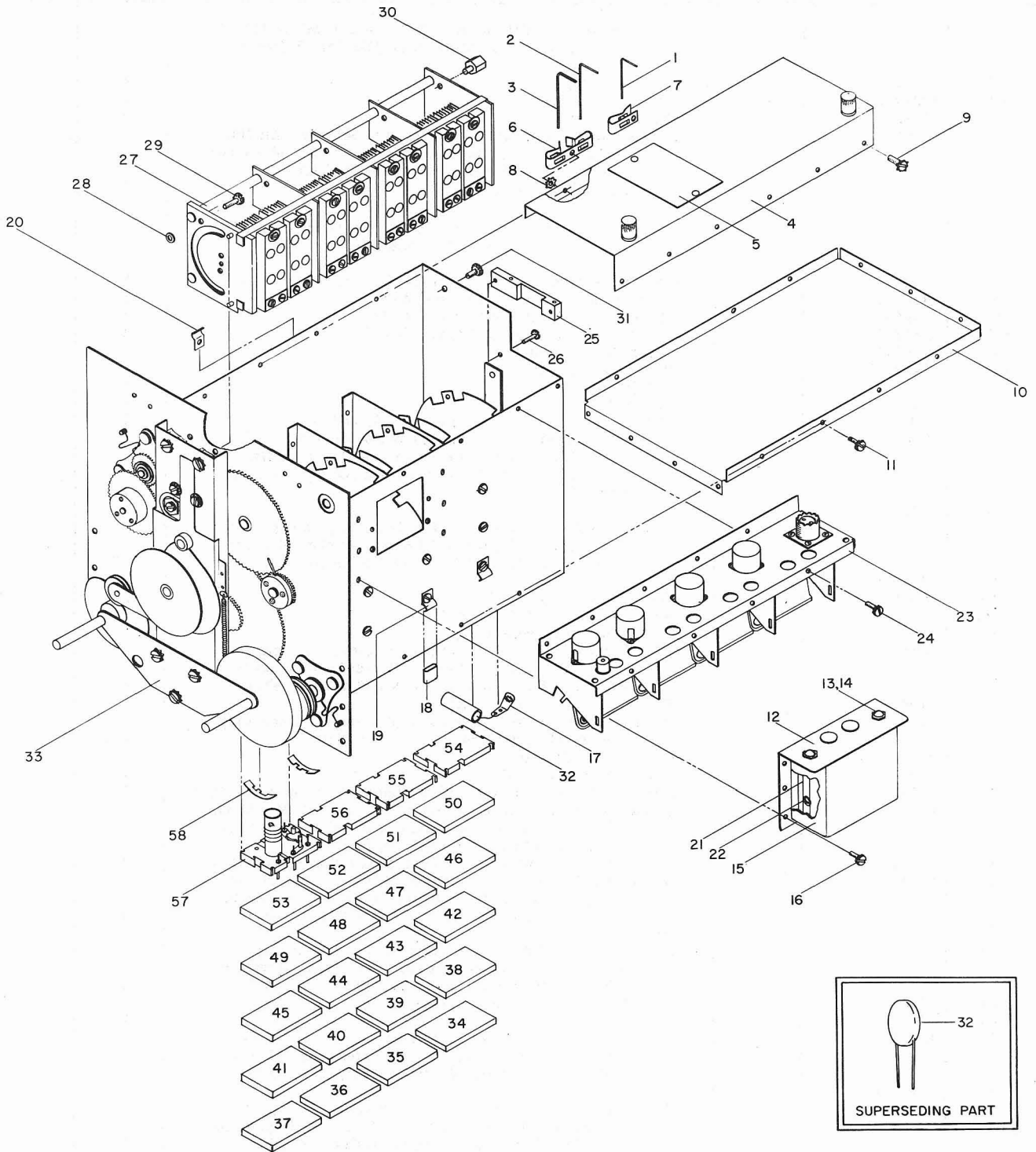


Figure 8. Tubing Unit Assembly

FIG & INDEX NO.	PART NUMBER	REF SYMBOL	NAME AND DESCRIPTION							UNITS PER ASSY	APPLI- CATION	
			1	2	3	4	5	6	7			
			RADIO RECEIVER SP-600-JX-17, RACK MOUNTINGS TUNIT UNIT ASSEMBLY (cont)									
8-38	31390-1	E62	.								1	
-39	31389-1	E69	.								1	
-40	31389-1	E76	.								1	
-41	31388-1	E86	.								1	
-42	31393-1	E63	.								1	
-43	31392-1	E70	.								1	
-44	31392-1	E77	.								1	
-45	31391-1	E87	.								1	
-46	31396-1	E64	.								1	
-47	31395-1	E71	.								1	
-48	31395-1	E78	.								1	
-49	31394-1	E88	.								1	
-50	31399-1	E65	.								1	
-51	31398-1	E72	.								1	
-52	31398-1	E79	.								1	
-53	31397-1	E89	.								1	
-54	31405-1	E66	.								1	
-55	31404-1	E73	.								1	
-56	31404-1	E80	.								1	
-57	31403-1	E90	.								1	
-58	31003-1	-	.								48	
			RADIO RECEIVER SP-600-JX-17, RACK MOUNTINGS GEAR TRAIN ASSEMBLY									
9	31291-3	-	.								Ref	
-1	31201-1	-	.								1	
-2	31126-1	-	.								1	
-3	31125-1	-	.								1	
-4	31198-1	-	.								1	
-5	31205-1	-	.								2	
-6	31177-1	-	.								1	
-7	31059-1	-	.								3	
-8	Coml	-	.									
-9	31050-1	-	.								3	
-10	31047-1	-	.								1	
-11	Coml	-	.									
-12	Coml	-	.								3	
-13	31189-1	-	.								2	
-14	Coml	-	.								4	
-15	31202-1	-	.								4	
-16	31288-1	-	.								1	

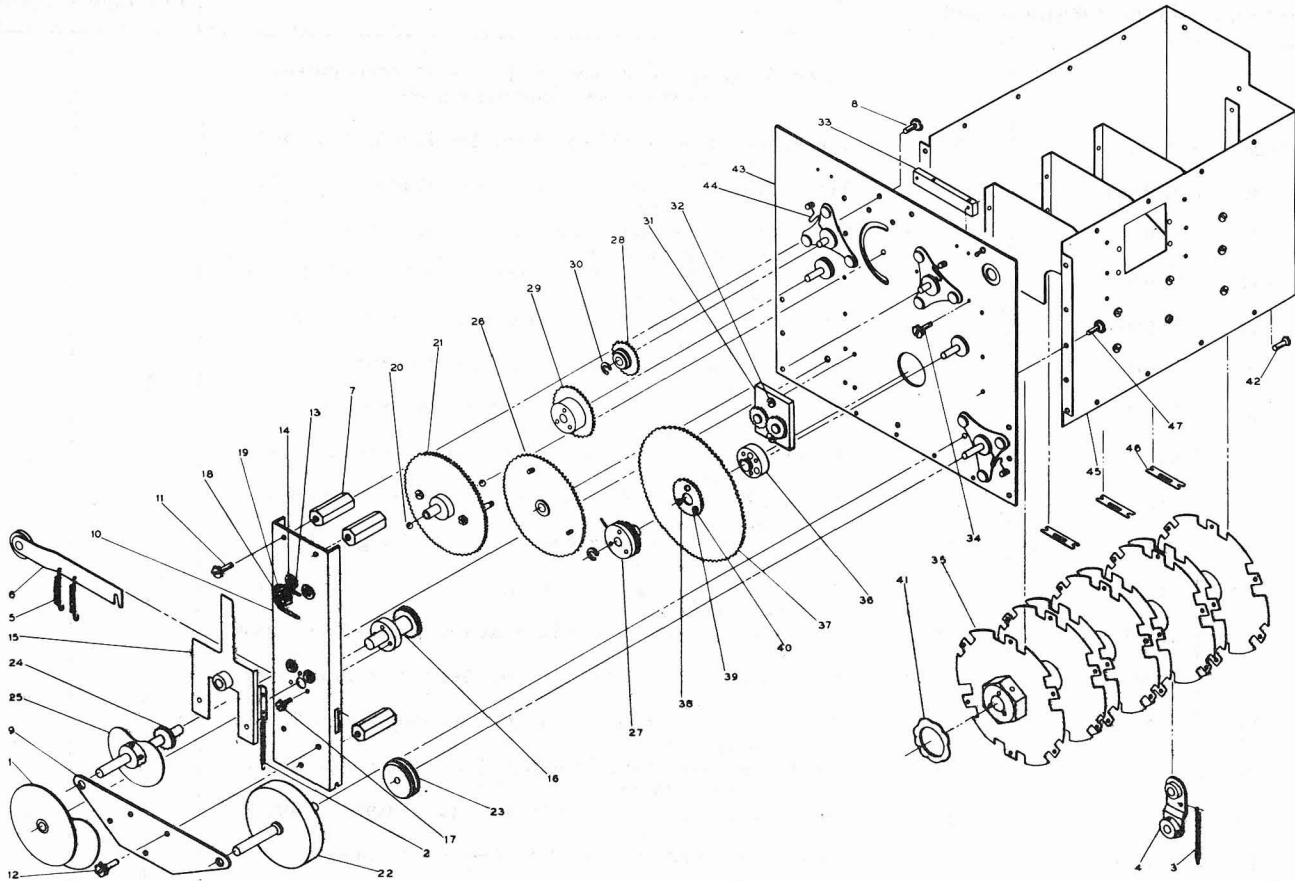


Figure 9. Gear Train Assembly

FIG & INDEX NO.	PART NUMBER	REF SYMBOL	NAME AND DESCRIPTION							UNITS PER ASSY	APPLI-CATION
			1	2	3	4	5	6	7		
			RADIO RECEIVER SP-600-JX-17, RACK MOUNTINGS GEAR TRAIN ASSEMBLY (cont)								
9-17	Coml	-	3	
-18	10003-6	-	1	
-19	10012-67	-	1	
-20	10027-13	-	2	
-21	31150-1	-	1	
-22	31169-1	-	1	
-23	31164-1	-	1	
-24	31052-1	-	1	
-25	31173-1	-	1	
-26	31098-1	-	1	
-27	31095-1	-	1	
-28	31096-1	-	1	
-29	31097-1	-	1	
-30	WA510	-	4	
-31	31287-1	-	1	
-32	Coml	-		
-33	31085-1	-	2	
-34	Coml	-	1	
			2	

FIG & INDEX NO.	PART NUMBER	REF SYMBOL	NAME AND DESCRIPTION							UNITS PER ASSY	APPLI-CATION
			1	2	3	4	5	6	7		
			RADIO RECEIVER SP-600-JX-17, RACK MOUNTINGS GEAR TRAIN ASSEMBLY (cont)								
9-35	31137-1	-	1	
-36	31063-1	-	1	
-37	31036-1	-	1	
-38	31037-1	-	1	
-39	Coml	-	6	
-40	Coml	-	6	
-41	31277-1	-	1	
-42	11890-1	-	1	
-43	31166-1	-	1	
-44	31239-1	-	3	
-45	31285-2	-	1	
-46	31279-1	-	3	
-47	Coml	-	10	

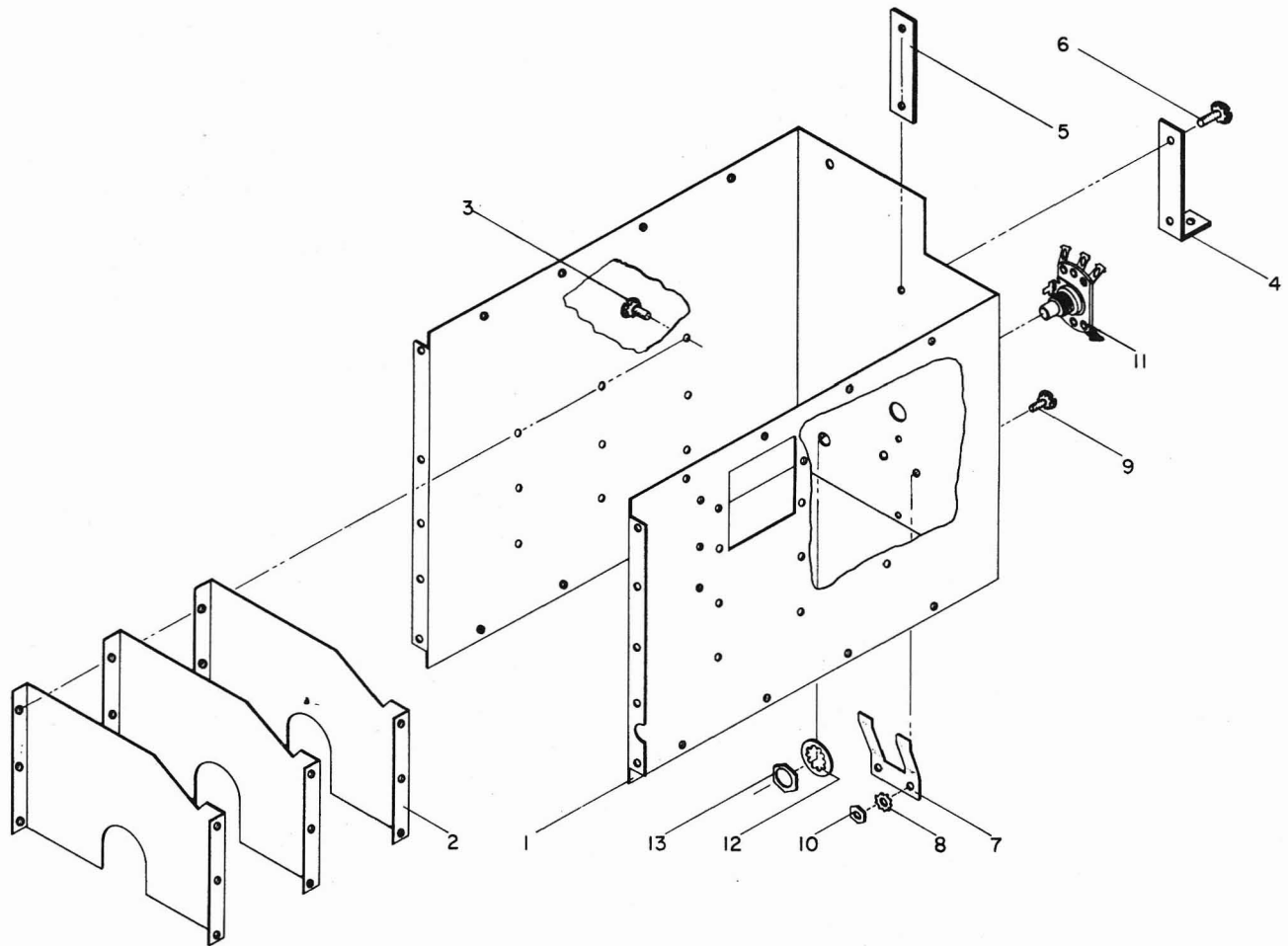


Figure 10. Tuning Unit Shield Assembly

FIG & INDEX NO.	PART NUMBER	REF SYMBOL	NAME AND DESCRIPTION							UNITS PER ASSY	APPLI- CATION
			1	2	3	4	5	6	7		
			RADIO RECEIVER SP-600-JX-17, RACK MOUNTINGS TUNING UNIT SHIELD ASSEMBLY								
10	31285-2	-	Tuning Unit Shield Assembly (See Figure 9-45 for next higher assy)							Ref	
-1	31080-1	-	. Shield, turret							1	
-2	31117-1	-	. Plate, reinforcing							3	
-3	Coml	-	. Screw, mach: slot drive; binding hd; steel, cad. pl; No. 6-32, 1/4 in. lg; incl ext tooth cad. pl washer 0.270 in. dia x 0.021 in. thick (IFCO) (Att. Pt.)							16	
-4	31144-1	-	. Bracket							1	
-5	31142-1	-	. Plate, anchor							1	
-6	Coml	-	. Screw, mach: slot drive; binding hd; steel, cad. pl; No. 10-32, 3/8 in. lg; incl ext tooth steel cad. pl washer 0.408 in. dia x 0.024 in. thick (IFCO) (Att. Pt.)							2	
-7	31278-1	-	. Spring: flat type							1	
-8	AN936B6	-	. Washer, lock (Att. Pt.)							2	
-9	Coml	-	. Screw, mach: slot drive; binding hd; steel, cad. pl; No. 6-32, 1/4 in. lg; incl ext tooth cad. pl washer 0.270 in. dia x 0.021 in. thick (IFCO) (Att. Pt.)							2	
-10	10012-41	-	. Nut, hex (Att. Pt.)							2	
-11	15862-2	S4	. Switch, rotary (OAK, type "22")							1	
-12	AN936A616	-	. Washer, lock (Att. Pt.)							1	
-13	10012-90	-	. Nut, hex (Att. Pt.)							1	

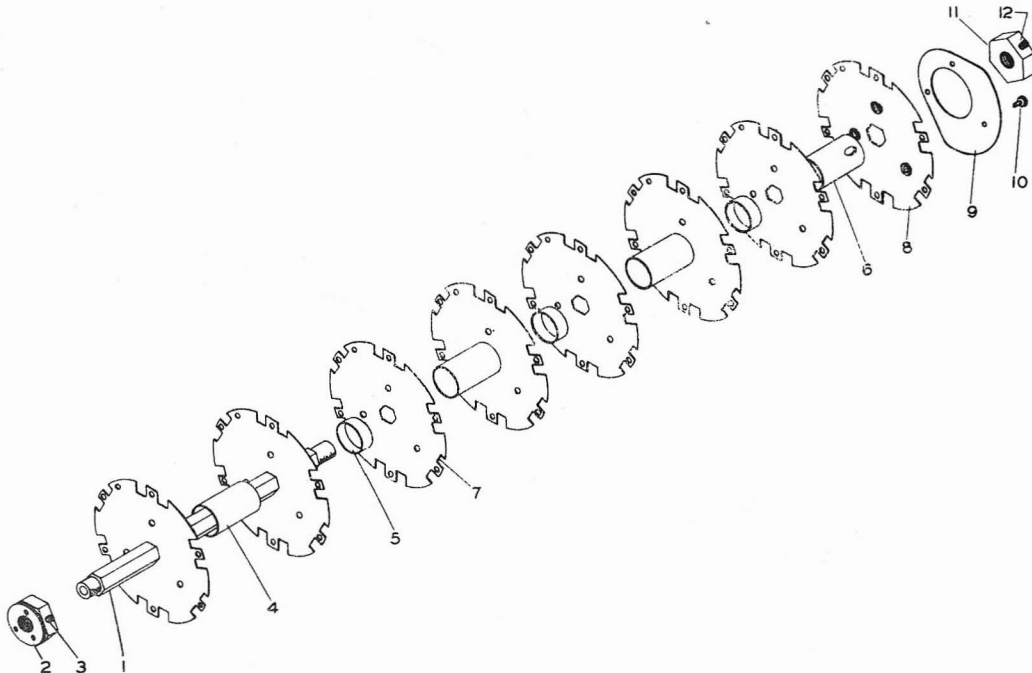


Figure 11. Mounting Disk and Shaft Assembly

FIG & INDEX NO.	PART NUMBER	REF SYMBOL	NAME AND DESCRIPTION							UNITS PER ASSY	APPLI- CATION
			1	2	3	4	5	6	7		
			RADIO RECEIVER SP-600-JX-17, RACK MOUNTINGS MOUNTING DISK AND SHAFT ASSEMBLY								
11	31137-1	-	Mounting Disk and Shaft Assembly (See Figure 9-35 for next higher assy)							Ref	
-1	31077-1	-	. Shaft							1	
-2	31078-1	-	. Nut, hex (Att. Pt.)							1	
-3	Com1	-	. Screw, set: No. 8-32, 3/8 in. lg cup point (PHE)							1	
-4	31065-1	-	. Tubing: rigid							3	
-5	31065-2	-	. Tubing: rigid							3	
-6	31066-1	-	. Tubing: rigid							1	
-7	31002-1	-	. Disk, mounting							7	
-8	31204-1	-	. Disk, mounting (incl three spacers)							1	
-9	31192-1	-	. Cam							1	
-10	Com1	-	. Screw, mach: slot drive; binding hd; steel, cad. pl; No. 4-40, 1/4 in. lg; incl ext tooth steel cad. pl washer 0.254 in. dia x 0.019 in. thick (IFCO) (Att. Pt.)							3	
-11	31078-2	-	. Nut, hex (Att. Pt.)							1	
-12	Com1	-	. Screw, set: No. 8-32, 3/8 in. lg cup point (PHE)							1	
			RADIO RECEIVER SP-600-JX-17, RACK MOUNTINGS R-F WIRING ASSEMBLY								
12	31231-2	-	R-F Wiring Assembly (See Figure 8-23 for next higher assy)							Ref	
-1	31234-1	-	. Base and Spring Assembly							4	
-2	31203-1	-	. Plate, switch: incl steatite base and eyelets							4	
-3	31089-1	-	. Contact, switch (BWA)							24	
-4	RC20BF220K	R11	. Resistor, fixed (JAN-R-11)							1	
-5	RC20BF220K	R21	. Resistor, fixed (JAN-R-11)							1	
-6	CC21UJ050C	C79	. Capacitor, fixed (JAN-C-20A)							1	
-7	CC21UJ050C	C80	. Capacitor, fixed (JAN-C-20A)							1	
-8	Com1	-	. Tubing: on fixed wires; plastic vinylite, black; hyflex, wire size No. 2 (IVI)							AR	
-9	†Com1	C19	. Capacitor, fixed: 10,000 mmf (RAMT type B)							1	
-9	Com1	C19	. Capacitor, fixed: 10,000 mmf (AEV type P488 or P487)							1	
-10	†Com1	C20	. Capacitor, fixed: 10,000 mmf (RAMT type B)							1	
-10	Com1	C20	. Capacitor, fixed: 10,000 mmf (AEV type P488 or P487)							1	
-11	†Com1	C21	. Capacitor, fixed: 10,000 mmf (RAMT type B)							1	
-11	Com1	C21	. Capacitor, fixed: 10,000 mmf (AEV type P488 or P487)							1	
-12	†Com1	C22	. Capacitor, fixed: 10,000 mmf (RAMT type B)							1	
-12	Com1	C22	. Capacitor, fixed: 10,000 mmf (AEV type P488 or P487)							1	
-13	†Com1	C23	. Capacitor, fixed: 10,000 mmf (RAMT type B)							1	
-13	Com1	C23	. Capacitor, fixed: 10,000 mmf (AEV type P488 or P487)							1	
-14	†Com1	C24	. Capacitor, fixed: 10,000 mmf (RAMT type B)							1	
-14	Com1	C24	. Capacitor, fixed: 10,000 mmf (AEV type P488 or P487)							1	
-15	†Com1	C40	. Capacitor, fixed: 10,000 mmf (RAMT type B)							1	
-15	Com1	C40	. Capacitor, fixed: 10,000 mmf (AEV type P488 or P487)							1	
-16	†Com1	C41	. Capacitor, fixed: 10,000 mmf (RAMT type B)							1	
-16	Com1	C41	. Capacitor, fixed: 10,000 mmf (AEV type P488 or P487)							1	
-17	†Com1	C42	. Capacitor, fixed: 10,000 mmf (RAMT type B)							1	
-17	Com1	C42	. Capacitor, fixed: 10,000 mmf (AEV type P488 or P487)							1	
-18	†Com1	C43	. Capacitor, fixed: 10,000 mmf (RAMT type B)							1	
-18	Com1	C43	. Capacitor, fixed: 10,000 mmf (AEV type P488 or P487)							1	
-19	†Com1	C44	. Capacitor, fixed: 10,000 mmf (RAMT type B)							1	
-19	Com1	C44	. Capacitor, fixed: 10,000 mmf (AEV type P488 or P487)							1	
-20	†Com1	C66	. Capacitor, fixed: 10,000 mmf (RAMT type B)							1	
-20	Com1	C66	. Capacitor, fixed: 10,000 mmf (AEV type P488 or P487)							1	
-21	†Com1	C68	. Capacitor, fixed: 10,000 mmf (RAMT type B)							1	
-21	Com1	C68	. Capacitor, fixed: 10,000 mmf (AEV type P488 or P487)							1	
-22	†Com1	C71	. Capacitor, fixed: 10,000 mmf (RAMT type B)							1	
-22	Com1	C71	. Capacitor, fixed: 10,000 mmf (AEV type P488 or P487)							1	
-23	†Com1	C72	. Capacitor, fixed: 10,000 mmf (RAMT type B)							1	
-23	Com1	C72	. Capacitor, fixed: 10,000 mmf (AEV type P488 or P487)							1	
-24	†Com1	C73	. Capacitor, fixed: 10,000 mmf (RAMT type B)							1	
-24	Com1	C73	. Capacitor, fixed: 10,000 mmf (AEV type P488 or P487)							1	
-25	†Com1	C74	. Capacitor, fixed: 10,000 mmf (RAMT type B)							1	
-25	Com1	C74	. Capacitor, fixed: 10,000 mmf (AEV type P488 or P487)							1	
-26	†Com1	C153	. Capacitor, fixed: 10,000 mmf (RAMT type B)							1	
-26	Com1	C153	. Capacitor, fixed: 10,000 mmf (AEV type P488 or P487)							1	
-27	†Com1	C154	. Capacitor, fixed: 10,000 mmf (RAMT type B)							1	
-27	Com1	C154	. Capacitor, fixed: 10,000 mmf (AEV type P488 or P487)							1	
-28	†Com1	C155	. Capacitor, fixed: 10,000 mmf (RAMT type B)							1	
-28	Com1	C155	. Capacitor, fixed: 10,000 mmf (AEV type P488 or P487)							1	

FIG & INDEX NO.	PART NUMBER	REF SYMBOL	NAME AND DESCRIPTION	UNITS PER ASSY	APPLI- CATION
RADIO RECEIVER SP-600-JX-17, RACK MOUNTINGS R-F WIRING ASSEMBLY (cont)					
12-29	Com1	C175	. Capacitor, fixed: 10,000 mmf (RAMT type B)	1	
-29	Com1	C175	. Capacitor, fixed: 10,000 mmf (AEV type P487 or P488)	1	
-30	23003-94C	C18	. Capacitor, fixed	1	
-31	23003-94C	C25	. Capacitor, fixed	1	
-32	23003-94C	C75	. Capacitor, fixed	1	
-33	RC20BF102K	R4	. Resistor, fixed (JAN-R-11)	1	
-34	RC20BF102K	R6	. Resistor, fixed (JAN-R-11)	1	
-35	RC20BF102K	R16	. Resistor, fixed (JAN-R-11)	1	
-36	RC20BF102K	R29	. Resistor, fixed (JAN-R-11)	1	
-37	RC20BF102K	R30	. Resistor, fixed (JAN-R-11)	1	
-38	RC20BF102K	R121	. Resistor, fixed (JAN-R-11)	1	
-39	RC20BF103J	R2	. Resistor, fixed (JAN-R-11)	1	
-40	RC20BF103J	R12	. Resistor, fixed (JAN-R-11)	1	
-41	RC20BF473K	R22	. Resistor, fixed (JAN-R-11)	1	
-42	RC20BF511J	R5	. Resistor, fixed (JAN-R-11)	1	
-43	RC20BF511J	R15	. Resistor, fixed (JAN-R-11)	1	
-44	RC20BF151J	R27	. Resistor, fixed (JAN-R-11)	1	
-45	RC20BF682K	R28	. Resistor, fixed (JAN-R-11)	1	
-46	RC20BF333J	R3	. Resistor, fixed (JAN-R-11)	1	
-47	RC20BF333J	R14	. Resistor, fixed (JAN-R-11)	1	
-48	19317-76	R1	. Resistor, fixed: 510K ohms $\pm 5\%$, 1/3 w (IRC type BTR)	1	
-49	19317-76	R13	. Resistor, fixed: 510K ohms $\pm 5\%$, 1/3 w (IRC type BTR)	1	
-50	19317-76	R26	. Resistor, fixed: 510K ohms $\pm 5\%$, 1/3 w (IRC type BTR)	1	
-51	15611-1	L48	. Coil, RF: filament choke	1	
-52	15612-1	L7	. Coil, RF: plate choke	1	
-53	15612-1	L14	. Coil, RF: plate choke	1	

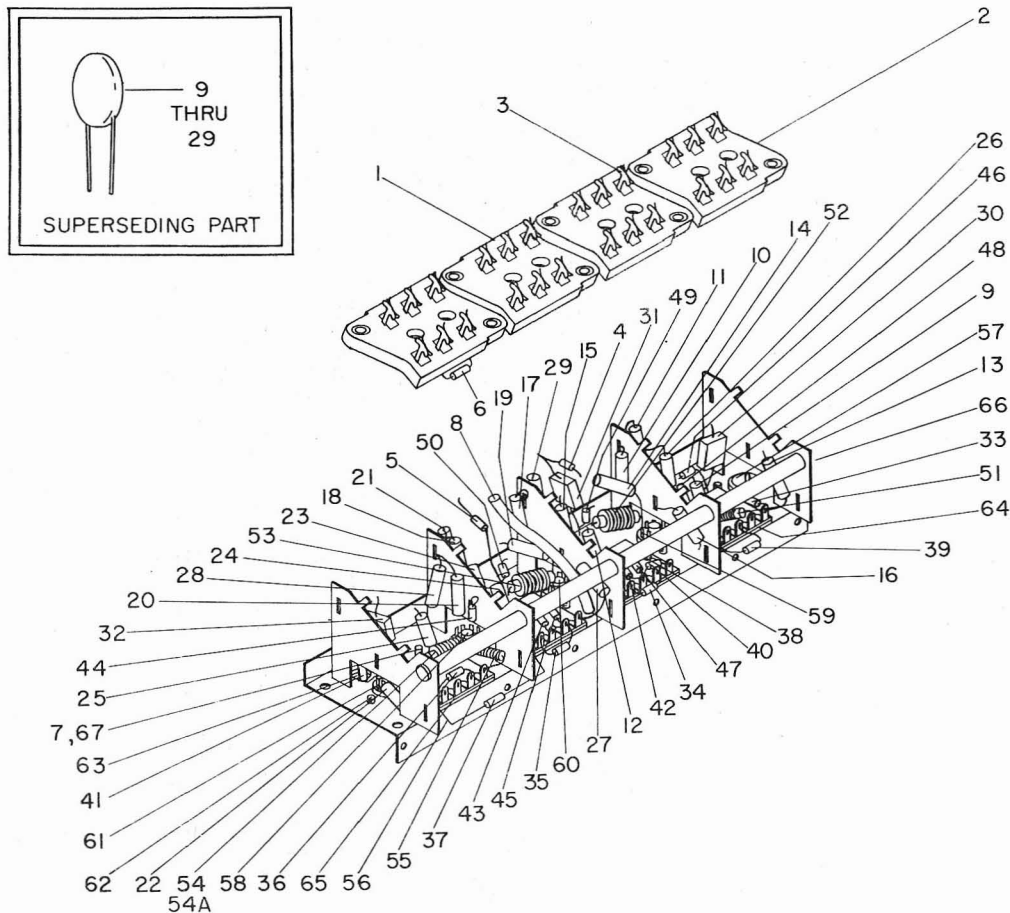


Figure 12. R-F Wiring Assembly

FIG & INDEX NO.	PART NUMBER	REF SYMBOL	NAME AND DESCRIPTION							UNITS PER ASSY	APPLI- CATION
			1	2	3	4	5	6	7		
RADIO RECEIVER SP-600-JX-17, RACK MOUNTINGS R-F WIRING ASSEMBLY (cont)											
12-54	15612-1	L24	.	Coil, RF: plate choke; on all receivers before Serial No. 13096						1	
-54	15627-1	L24	.	Coil, RF: plate choke; on receiver Serial No. 13096 and up						1	
-55	15613-1	L49	.	Coil, RF: filament choke						1	
-56	Com1	-	.	Tubing: covers bare wire; extruded plastic vinylite, black; hyflex, wire size No. 17 (IVI)						AR	
-57	SO-239	J1	.	Connector, female contacts						1	
-58	TS102C01	X5	.	Socket, tube (JAN-S-28A)						1	
-59	TS102P01	X1	.	Socket, tube (JAN-S-28A)						1	
-60	TS102P01	X2	.	Socket, tube (JAN-S-28A)						1	
-61	15989-5	X4	.	Socket, tube (incl metal shock shield, no center shield) (otherwise JAN-S-28A)						1	
-62	Com1	-	.	Screw, mach: slot drive; rd hd; steel, cad. pl; No. 4-40, 1/4 in. lg; incl split, steel cad. pl washer 0.200 in. dia x 1/32 in. thick (IFCO) (Att. Pt. for Items 57, 58, 59, 60 and 61)						12	
-63	16619-5	E1	.	Insulator, bushing: isolantite (ISO No. 915-LGB modified, omit lug and eyelet)						1	
-64	31225-1	-	.	Board, terminal						3	
-65	31226-1	-	.	Board, terminal						1	
-66	31136-1	-	.	Plate, mounting						1	
-67	Com1	-	.	Tubing: on L24; extruded plastic vinylite, transparent; wire size 7/16 in. diameter						AR	
RADIO RECEIVER SP-600-JX-17, RACK MOUNTINGS MIXER PLATE COIL ASSEMBLY											
13	31183-1	T1	.	Mixer Plate Coil Assembly (See Figure 8-21 for next higher assy)						Ref	
-1	Com1	-	.	Tubing: covers bare wire; extruded plastic vinylite, black; hyflex, wire size No. 17 (IVI)						AR	
-2	RC20BF222K	R31	.	Resistor, fixed (JAN-R-11)						1	
-3	†Com1	C70	.	Capacitor, fixed: 10,000 mmf (RAMT type B)						1	
-3	Com1	C70	.	Capacitor, fixed: 10,000 mmf (AEV type P488 or P487)						1	
-4	2104-6	-	.	Terminal, lug: cad. pl (SH)						1	
-5	23071-59	C67	.	Capacitor, fixed						1	
-6	23003-102C	C69	.	Capacitor, fixed						1	
-7	11-593-A	-	.	Spring: flat type; cad. pl (SKL) (Att. Pt.)						2	
-8	31179-1	-	.	Post, supporting						2	
-9	31181-1	-	.	Board, terminal						1	
-10	31182-1	-	.	Board, terminal						1	
-11	Com1	-	.	Screw, mach: slot drive; binding hd; steel, cad. pl; No. 6-32, 5/16 in. lg; incl ext tooth, steel cad. pl washer 0.270 in. dia x 0.021 in. thick (IFCO) (Att. Pt.)						4	
-12	31069-1	L32	.	Transformer, IF: 455kc; mixer output						1	
-13	31103-1	L31	.	Transformer, IF: 3,955 kc; mixer output						1	
-14	AN936B6	-	.	Washer, lock (Att. Pt.)						2	
-15	Com1	-	.	Screw, mach: slot drive; binding hd; steel, cad. pl; No. 6-32, 1/4 in. lg; incl ext tooth steel cad. pl washer 0.270 in. dia x 0.021 in. thick (IFCO) (Att. Pt.)						2	
RADIO RECEIVER SP-600-JX-17, RACK MOUNTINGS TUNER, RF: 0.54 TO 1.35 MC (INPUT)											
14	31387-1	E61	.	Tuner, RF (See Figure 8-34 for next higher assy)						Ref	
-1	†Com1	C3	.	Capacitor, fixed: 10,000 mmf (RAMT type B)						1	
-1	Com1	C3	.	Capacitor, fixed: 10,000 mmf (AEV type P488 or P487)						1	
-2	31245-1	L1	.	Coil, RF: antenna						1	
-3	31004-1	-	.	Spring: flat type						2	
-4	31427-1	-	.	Trimmer and Base Assembly						1	

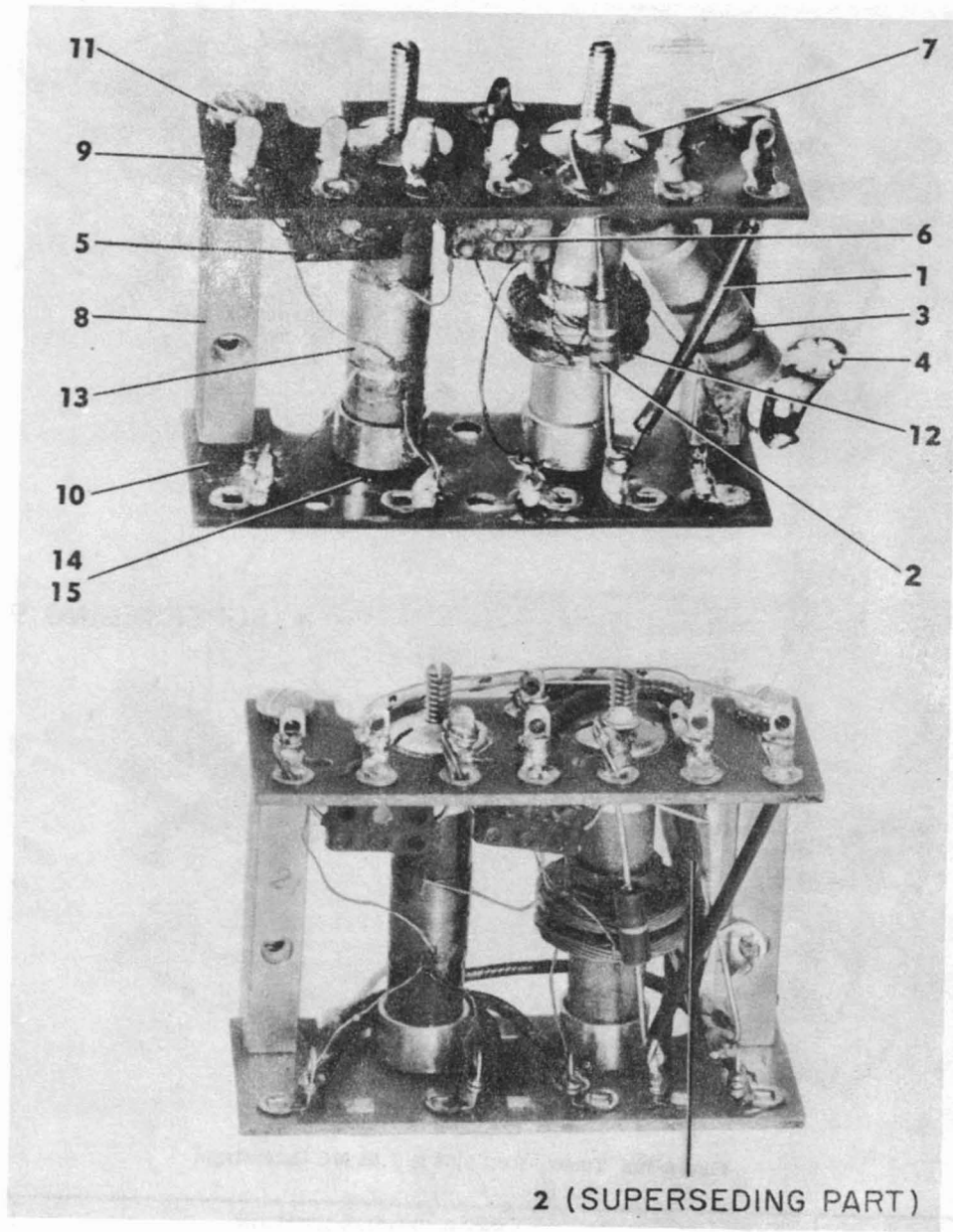


Figure 13. Mixer Plate Coil Assembly

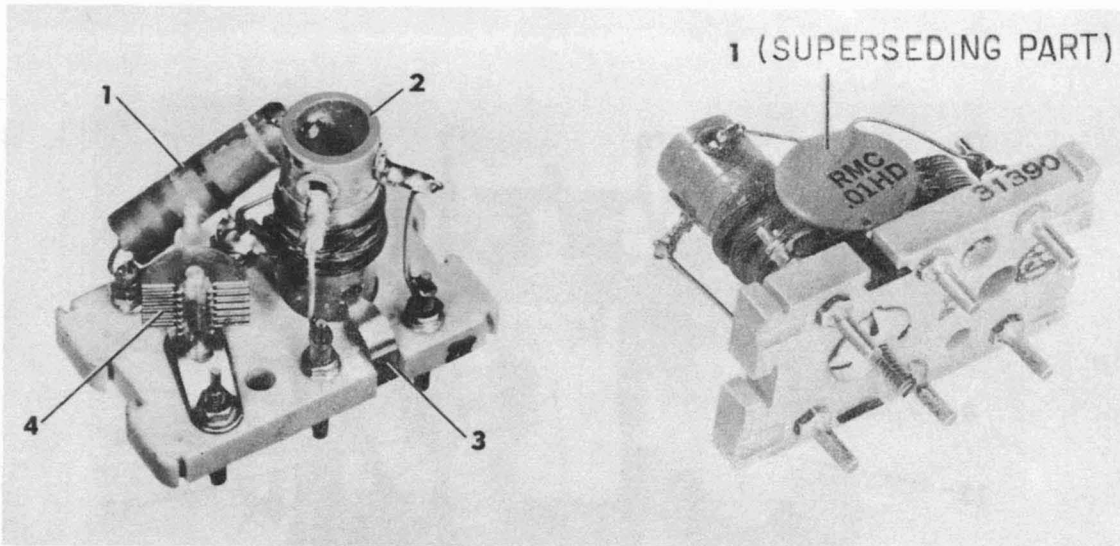


Figure 14. Tuner, RF: 0.54 to 1.35 MC (Input)

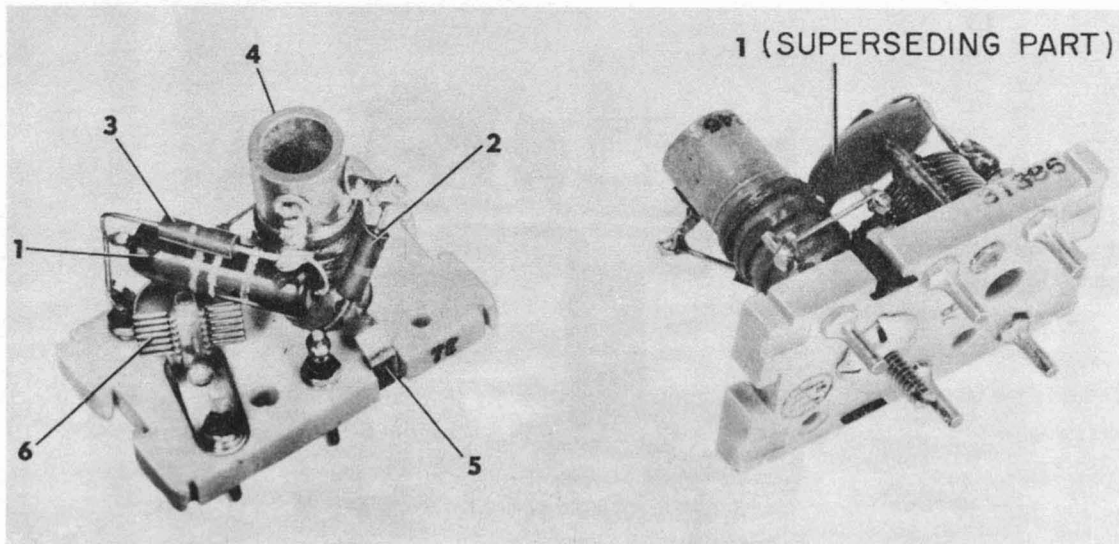


Figure 15. Tuner, RF: 0.54 to 1.35 MC (Interstage)

FIG & INDEX NO.	PART NUMBER	REF SYMBOL	NAME AND DESCRIPTION							UNITS PER ASSY	APPLI-CATION	
			1	2	3	4	5	6	7			
RADIO RECEIVER SP-600-JX-17, RACK MOUNTINGS TUNER, RF: 0.54 TO 1.35 MC (INTERSTAGE)												
15	31386-1	E68									Ref	a
15	31386-1	E75									Ref	b
-1	†Com1	C27									1	a
-1	Com1	C27									1	a
-1	†Com1	C47									1	b
-1	Com1	C47									1	b
-2	RC20BF510J	R7									1	a
-2	RC20BF510J	R17									1	b
-3	RC20BF273K	R103									1	a
-3	RC20BF273K	R104									1	b
-4	31246-1	L8									1	a
-4	31246-1	L15									1	b
-5	31004-1	-									2	
-6	31428-1	-									1	

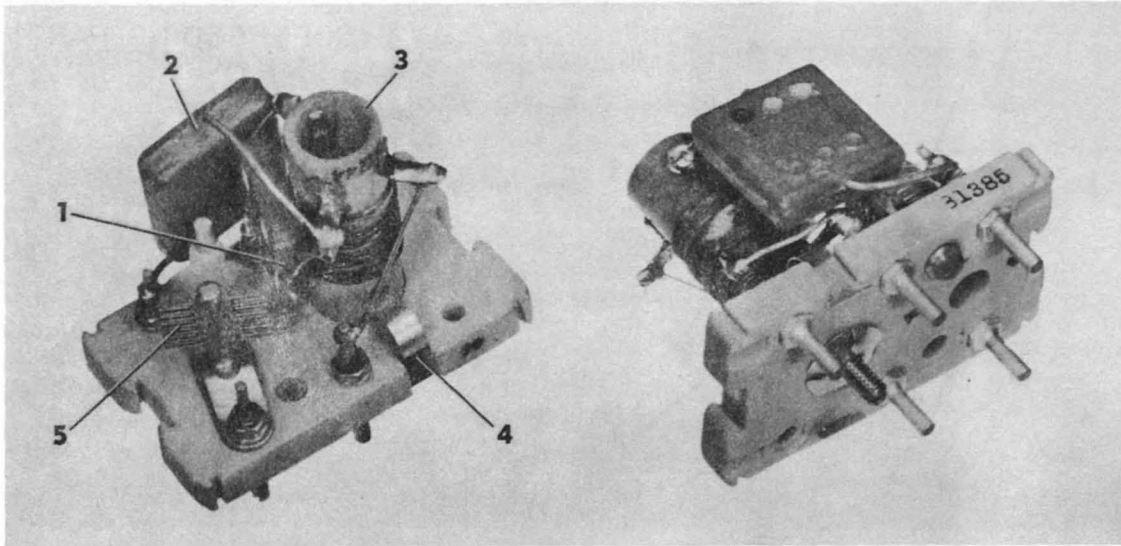


Figure 16. Tuner, RF: 0.54 to 1.35 MC (H-F Osc)

FIG & INDEX NO.	PART NUMBER	REF SYMBOL	NAME AND DESCRIPTION							UNITS PER ASSY	APPLI- CATION
			1	2	3	4	5	6	7		
RADIO RECEIVER SP-600-JX-17, RACK MOUNTINGS TUNER, RF: 0.54 TO 1.35 MC (H-F OSC)											
16	31385-1	E85	Tuner, RF (See Figure 8-37 for next higher assy)							Ref	
-1	23071-67	C78	. Capacitor, fixed: 404 mmf (AEV type No. 1469)							1	
-2	CM30C332G	C77	. Capacitor, fixed (JAN-C-5)							1	
-3	31244-1	L25	. Coil, RF: h-f osc							1	
-4	31004-1	-	. Spring: flat type							2	
-5	31428-1	-	. Trimmer and Base Assembly							1	
RADIO RECEIVER SP-600-JX-17, RACK MOUNTINGS TUNER, RF: 1.35 TO 3.45 MC (INPUT)											
17	31390-1	E62	Tuner, RF (See Figure 8-38 for next higher assy)							Ref	
-1	†Com1	C5	. Capacitor, fixed: 10,000 mmf (RAMT type B)							1	
-1	Com1	C5	. Capacitor, fixed: 10,000 mmf (AEV type P488 or P487)							1	
-2	31249-1	L2	. Coil, RF: antenna							1	
-3	31004-1	-	. Spring: flat type							2	
-4	31427-1	-	. Trimmer and Base Assembly							1	

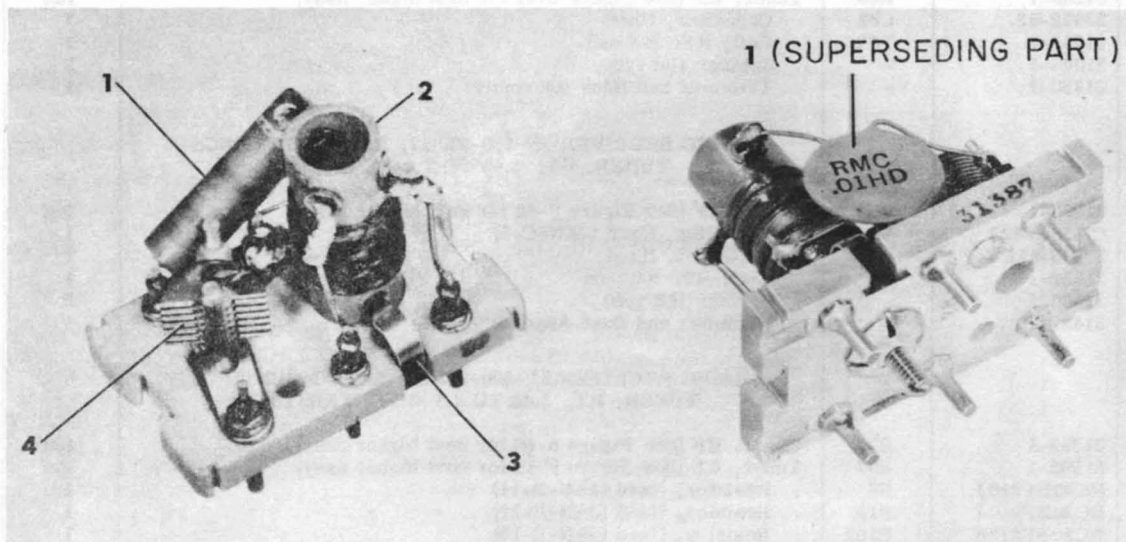


Figure 17. Tuner, RF: 1.35 to 3.45 MC (Input)

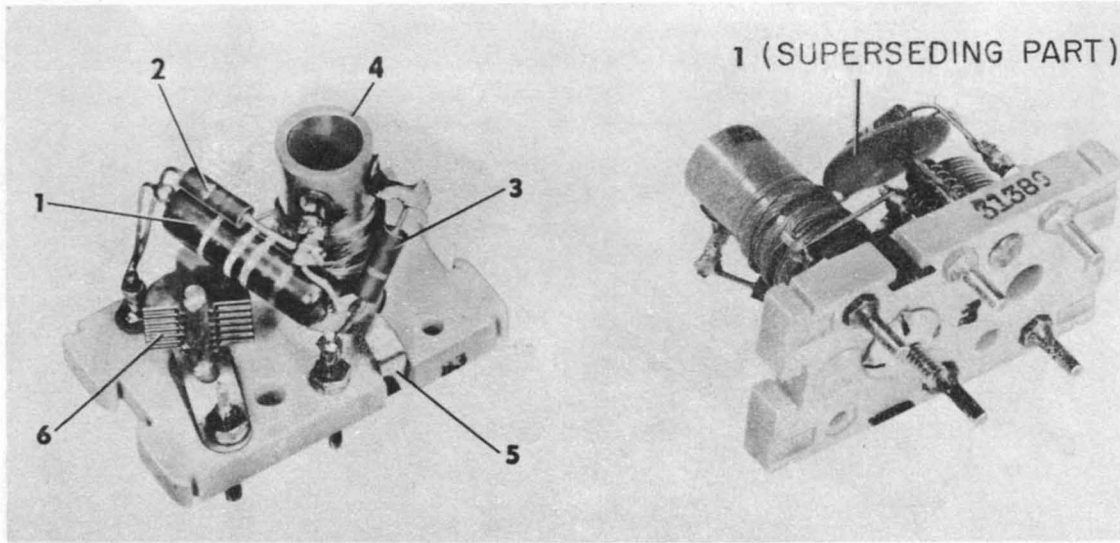


Figure 18. Tuner, RF: 1.35 to 3.45 MC (Interstage)

FIG & INDEX NO.	PART NUMBER	REF SYMBOL	NAME AND DESCRIPTION							UNITS PER ASSY	APPLI-CATION
			1	2	3	4	5	6	7		
RADIO RECEIVER SP-600-JX-17, RACK MOUNTINGS TUNER, RF: 1.35 TO 3.45 MC (INTERSTAGE)											
18	31389-1	E69	Tuner, RF (See Figure 8-39 for next higher assy)							Ref	c
18	31389-1	E76	Tuner, RF (See Figure 8-40 for next higher assy)							Ref	d
-1	†Com1	C29	. Capacitor, fixed: 10,000 mmf (RAMT type B)							1	c
-1	Com1	C29	. Capacitor, fixed: 10,000 mmf (AEV type P488 or P487)							1	c
-1	†Com1	C49	. Capacitor, fixed: 10,000 mmf (RAMT type B)							1	d
-1	Com1	C49	. Capacitor, fixed: 10,000 mmf (AEV type P488 or P487)							1	d
-2	RC20BF273K	R105	. Resistor, fixed (JAN-R-11)							1	c
-2	RC20BF273K	R106	. Resistor, fixed (JAN-R-11)							1	d
-3	RC20BF510J	R8	. Resistor, fixed (JAN-R-11)							1	c
-3	RC20BF510J	R18	. Resistor, fixed (JAN-R-11)							1	c
-4	31250-1	L9	. Coil, RF: interstage							1	d
-4	31250-1	L16	. Coil, RF: interstage							1	d
-5	31004-1	-	. Spring: flat type							2	
-6	31428-1	-	. Trimmer and Base Assembly							1	
RADIO RECEIVER SP-600-JX-17, RACK MOUNTINGS TUNER, RF: 1.35 TO 3.45 MC (H-F OSC)											
19	31388-1	E86	Tuner, RF (See Figure 8-41 for next higher assy)							Ref	
-1	23072-53	C82	. Capacitor, fixed							1	
-2	31248-1	L26	. Coil, RF: h-f osc							1	
-3	31004-1	-	. Spring: flat type							2	
-4	31430-1	-	. Trimmer and Base Assembly							1	
RADIO RECEIVER SP-600-JX-17, RACK MOUNTINGS TUNER, RF: 3.45 TO 7.4 MC (INPUT)											
20	31393-1	E63	Tuner, RF (See Figure 8-42 for next higher assy)							Ref	
-1	CM30C242J	C8	. Capacitor, fixed (JAN-C-5)							1	
-2	23003-41C	C6	. Capacitor, fixed							1	
-3	31252-1	L3	. Coil, RF: antenna							1	
-4	31004-1	-	. Spring: flat type							2	
-5	31427-1	-	. Trimmer and Base Assembly							1	
RADIO RECEIVER SP-600-JX-17, RACK MOUNTINGS TUNER, RF: 3.45 TO 7.4 MC (INTERSTAGE)											
21	31392-1	E70	Tuner, RF (See Figure 8-43 for next higher assy)							Ref	e
21	31392-1	E77	Tuner, RF (See Figure 8-44 for next higher assy)							Ref	f
-1	RC20BF240J	R9	. Resistor, fixed (JAN-R-11)							1	e
-1	RC20BF240J	R19	. Resistor, fixed (JAN-R-11)							1	f
-2	RC20BF273K	R107	. Resistor, fixed (JAN-R-11)							1	e
-2	RC20BF273K	R108	. Resistor, fixed (JAN-R-11)							1	f

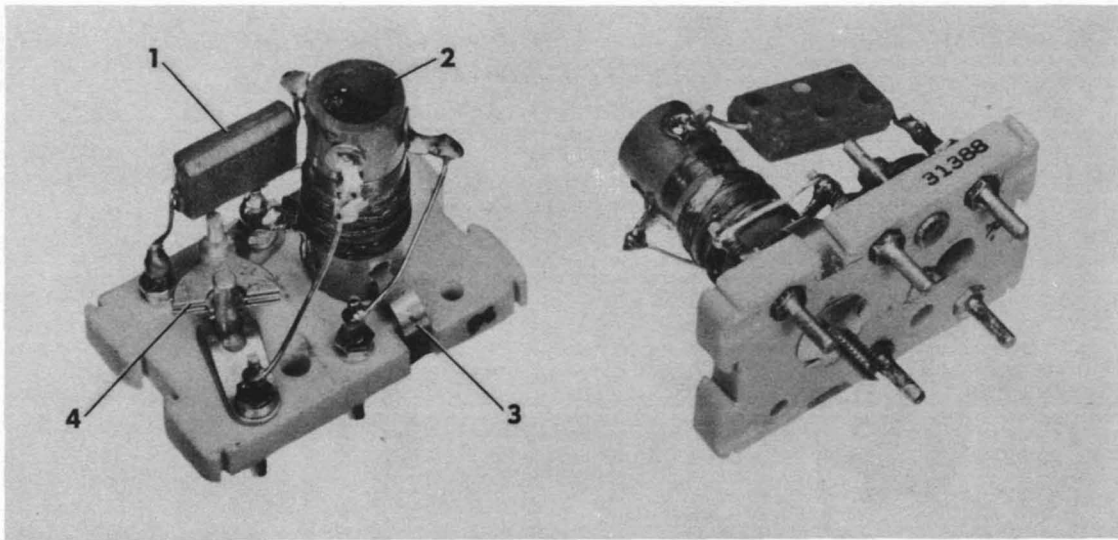


Figure 19. Tuner, RF: 1.35 to 3.45 MC (H-F Osc)

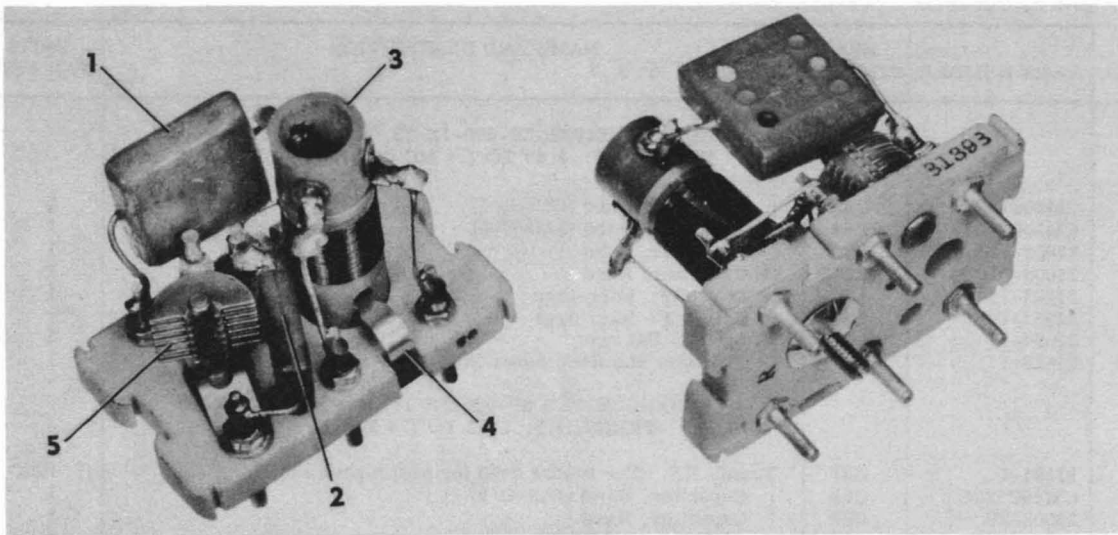


Figure 20. Tuner, RF: 3.45 to 7.4 MC (Input)

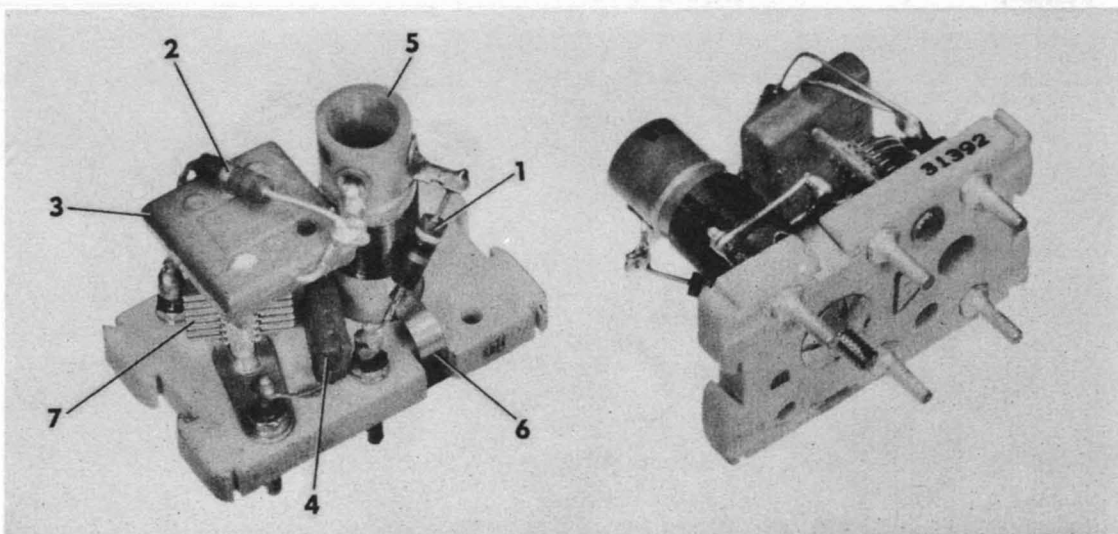


Figure 21. Tuner, RF: 3.45 to 7.4 MC (Interstage)

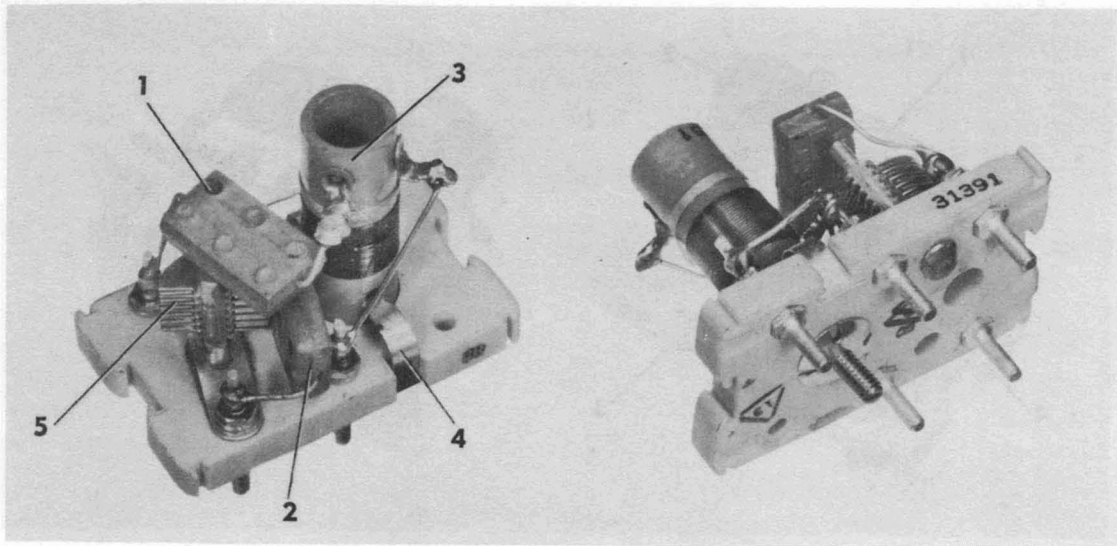


Figure 22. Tuner, RF: 3.45 to 7.4 MC (H-F osc)

FIG & INDEX NO.	PART NUMBER	REF SYMBOL	NAME AND DESCRIPTION							UNITS PER ASSY	APPLI-CATION
			1	2	3	4	5	6	7		
RADIO RECEIVER SP-600-JX-17, RACK MOUNTINGS TUNER, RF: 3.45 TO 7.4 MC (INTERSTAGE) (cont)											
21-3	CM30C242J	C32	1	e
-3	CM30C242J	C52	1	f
-4	23003-41C	C30	1	e
-4	23003-41C	C50	1	f
-5	31253-1	L10	1	e
-5	31253-1	L17	1	f
-6	31004-1	-	2	
-7	31428-1	-	1	
RADIO RECEIVER SP-600-JX-17, RACK MOUNTINGS TUNER, RF: 3.45 TO 7.4 MC (H-F OSC)											
22	31391-1	E87	Ref	
-1	CM30C122G	C85	1	
-2	23003-2B	C83	1	
-3	31251-1	L27	1	
-4	31004-1	-	2	
-5	31428-1	-	1	

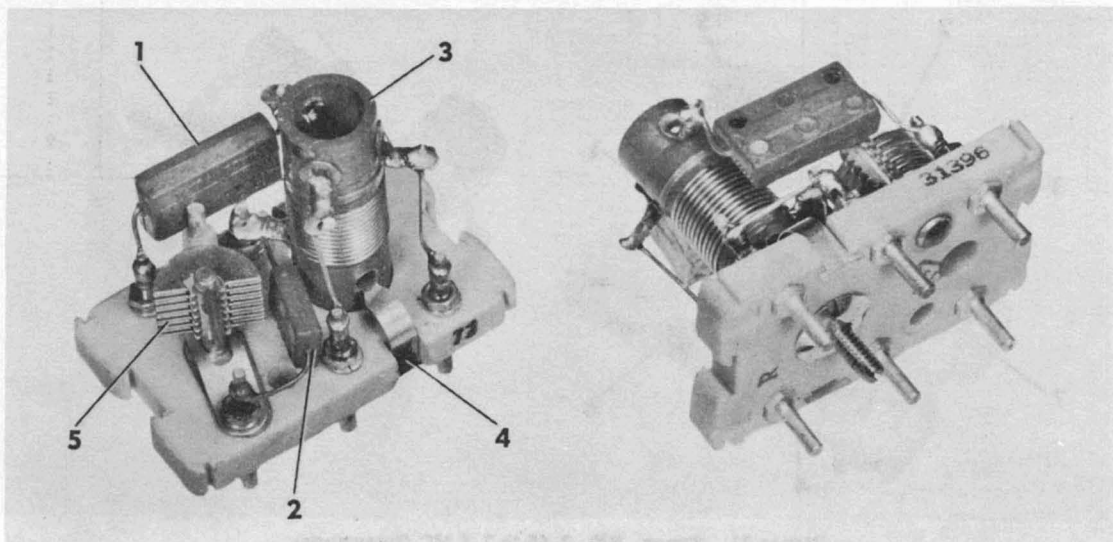


Figure 23. Tuner, RF: 7.4 to 14.8 MC (Input)

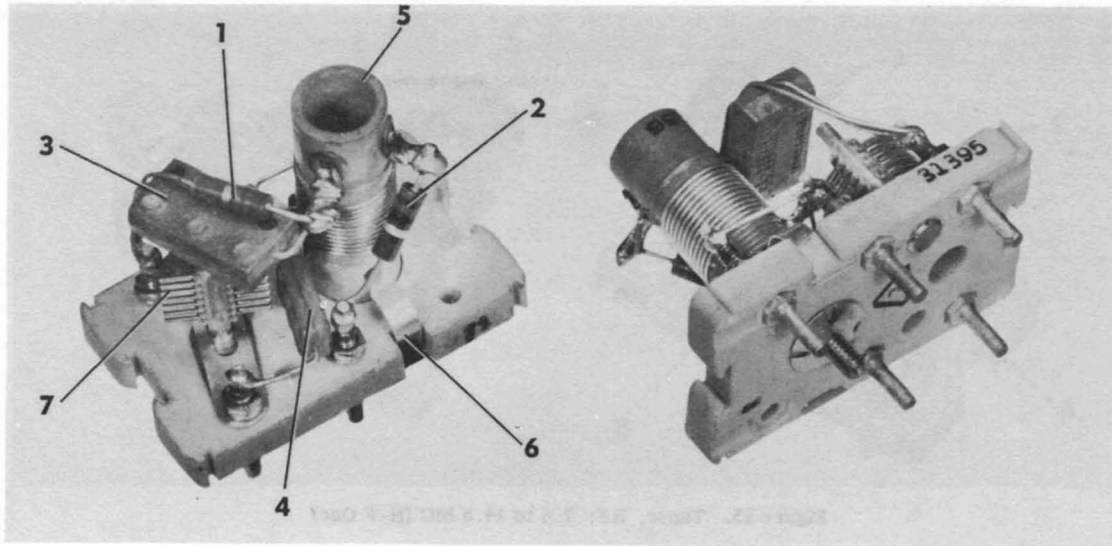


Figure 24. Tuner, RF: 7.4 to 14.8 MC (Interstage)

FIG & INDEX NO.	PART NUMBER	REF SYMBOL	NAME AND DESCRIPTION							UNITS PER ASSY	APPLI- CATION
			1	2	3	4	5	6	7		
			RADIO RECEIVER SP-600-JX-17, RACK MOUNTINGS TUNER, RF: 7.4 TO 14.8 MC (INPUT)								
23	31396-1	E64	Tuner, RF (See Figure 8-46 for next higher assy)							Ref	
-1	CM30C152G	C11	. Capacitor, fixed (JAN-C-5)							1	
-2	23003-45C	C9	. Capacitor, fixed							1	
-3	31255-1	L4	. Coil, RF: antenna							1	
-4	31004-1	-	. Spring, flat type							2	
-5	31427-1	-	. Trimmer and Base Assembly							1	
			RADIO RECEIVER SP-600-JX-17, RACK MOUNTINGS TUNER, RF: 7.4 TO 14.8 MC (INTERSTAGE)								
24	31395-1	E71	Tuner, RF (See Figure 8-47 for next higher assy)							Ref	
24	31395-1	E78	Tuner, RF (See Figure 8-48 for next higher assy)							Ref	
-1	RC20BF273K	R109	. Resistor, fixed (JAN-R-11)							1	g
-1	RC20BF273K	R110	. Resistor, fixed (JAN-R-11)							1	h
-2	RC20BF220K	R10	. Resistor, fixed (JAN-R-11)							1	g
-2	RC20BF220K	R20	. Resistor, fixed (JAN-R-11)							1	h
-3	CM30C152G	C35	. Capacitor, fixed (JAN-C-5)							1	g
-3	CM30C152G	C55	. Capacitor, fixed (JAN-C-5)							1	h
-4	23003-45C	C33	. Capacitor, fixed							1	g
-4	23003-45C	C53	. Capacitor, fixed							1	h
-5	31256-1	L11	. Coil, RF: interstage							1	g
-5	31256-1	L18	. Coil, RF: interstage							1	h
-6	31004-1	-	. Spring: flat type							2	
-7	31428-1	-	. Trimmer and Base Assembly							1	

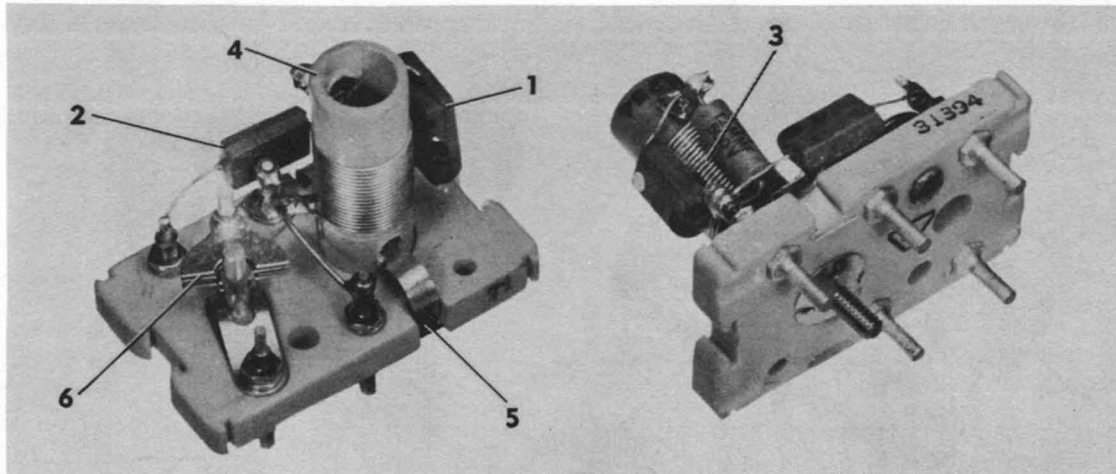


Figure 25. Tuner, RF: 7.4 to 14.8 MC (H-F Osc)

FIG & INDEX NO.	PART NUMBER	REF SYMBOL	NAME AND DESCRIPTION							UNITS PER ASSY	APPLI- CATION
			1	2	3	4	5	6	7		
			RADIO RECEIVER SP-600-JX-17, RACK MOUNTINGS TUNER, RF: 7.4 TO 14.8 MC (H-F OSC)								
25	31394-1	E88	Tuner, RF (See Figure 8-49 for next higher assy)							Ref	
-1	23071-64	C89	. Capacitor, fixed: mica dielectric; 190 mmf, $\pm 1\%$ (AEV type 1469)							1	
-2	23071-50	C87	. Capacitor, fixed							1	
-3	CC21UJ120J	C88	. Capacitor, fixed (JAN-C-20A)							1	
-4	31254-1	L28	. Coil, RF: h-f osc							1	
-5	31004-1	-	. Spring: flat type							2	
-6	31430-1	-	. Trimmer and Base Assembly							1	
			RADIO RECEIVER SP-600-JX-17, RACK MOUNTINGS TUNER, RF: 14.8 TO 29.7 MC (INPUT)								
26	31399-1	E65	Tuner, RF (See Figure 8-50 for next higher assy)							Ref	
-1	CC20CJ070F	C12	. Capacitor, fixed (JAN-C-20A)							1	
-2	CM30C102G	C14	. Capacitor, fixed (JAN-C-5)							1	
-3	31258-1	L5	. Coil, RF: antenna							1	
-4	31004-1	-	. Spring: flat type							2	
-5	31429-1	-	. Trimmer and Base Assembly							1	

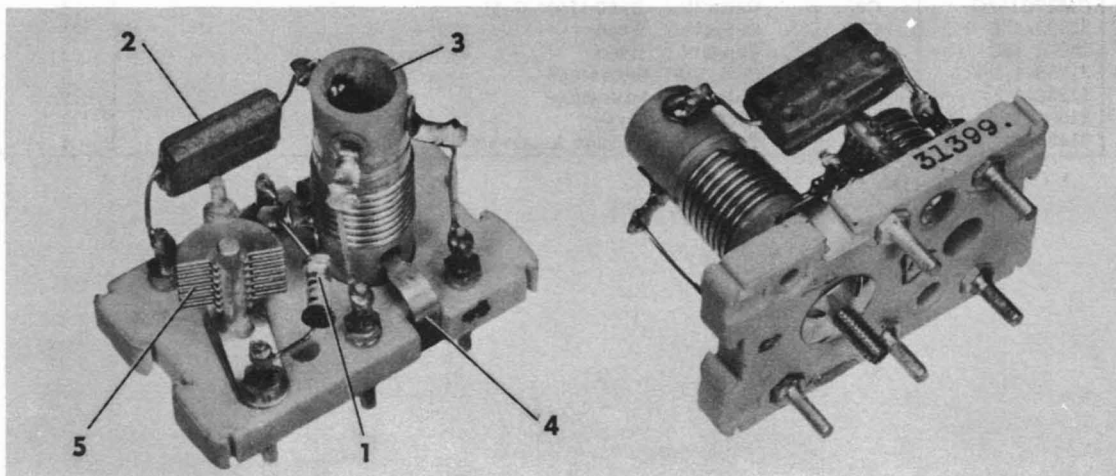


Figure 26. Tuner, RF: 14.8 to 29.7 MC (Input)

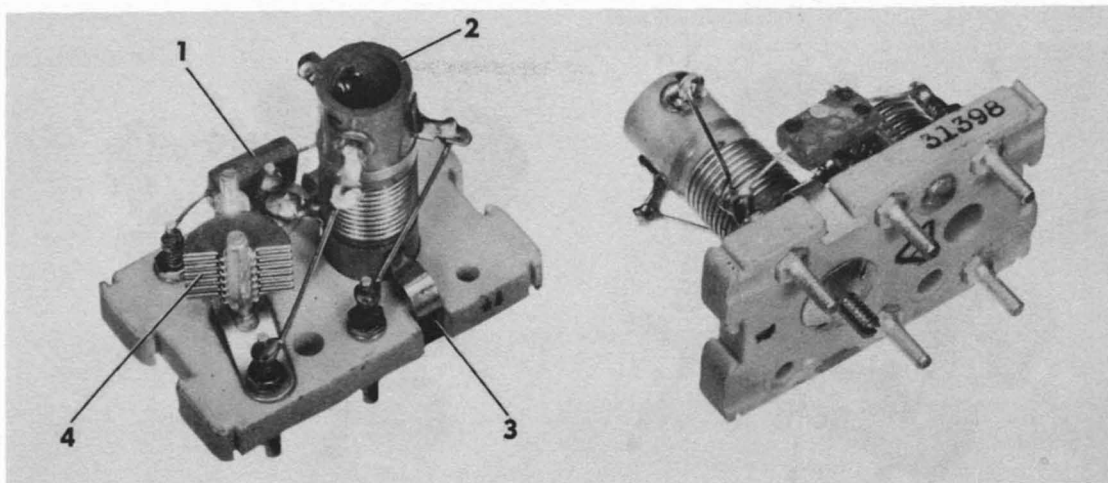


Figure 27. Tuner, RF: 14.8 to 29.7 MC (Interstage)

FIG & INDEX NO.	PART NUMBER	REF SYMBOL	NAME AND DESCRIPTION							UNITS PER ASSY	APPLI- CATION
			1	2	3	4	5	6	7		
			RADIO RECEIVER SP-600-JX 17, RACK MOUNTINGS TUNER, RF: 14.8 TO 29.7 MC (INTERSTAGE)								
27	31398-1	E72	Tuner, RF (See Figure 8-51 for next higher assy)							Ref	i
27	31398-1	E79	Tuner, RF (See Figure 8-52 for next higher assy)							Ref	j
-1	23003-94C	C37	. Capacitor, fixed							1	i
-1	23003-94C	C57	. Capacitor, fixed							1	j
-2	31259-1	L12	. Coil, RF: interstage							1	i
-2	31259-1	L19	. Coil, RF: interstage							1	j
-3	31004-1	-	. Spring: flat type							2	
-4	31428-1	-	. Trimmer and Base Assembly							1	
			RADIO RECEIVER SP-600-JX-17, RACK MOUNTINGS TUNER, RF: 14.8 TO 29.7 MC (H-F OSC)								
28	31397-1	E89	Tuner, RF (See Figure 8-53 for next higher assy)							Ref	
-1	23071-63	C93	. Capacitor, fixed: mica dielectric; 379 mmf $\pm 1\%$ (AEV type 1469)							1	
-2	23003-94C	C91	. Capacitor, fixed							1	
-3	CC21UJ510F	C92	. Capacitor, fixed (JAN-C-20A)							1	
-4	31257-1	L29	. Coil, RF: h-f osc							1	
-5	31004-1	-	. Spring: flat type							2	
-6	31430-1	-	. Trimmer and Base Assembly							1	

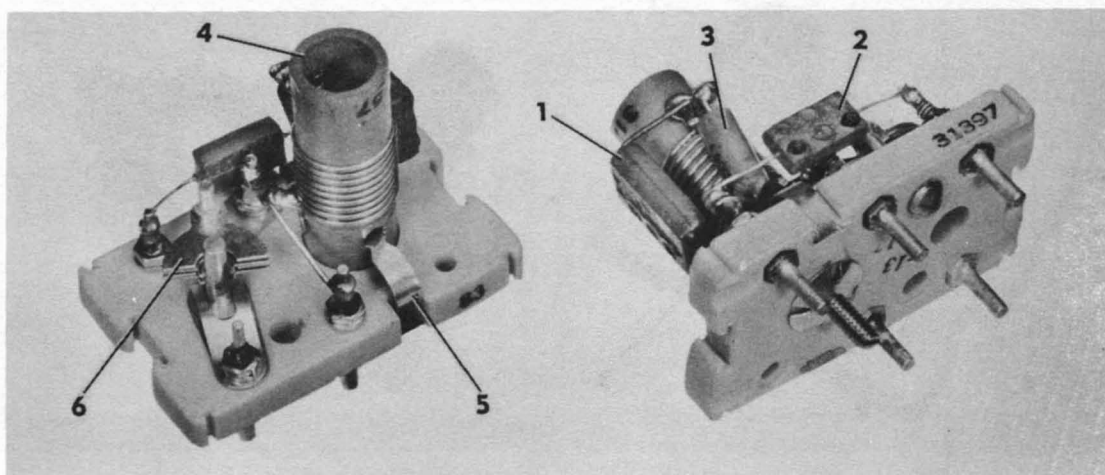


Figure 28. Tuner, RF: 14.8 to 29.7 MC (H-F Osc)

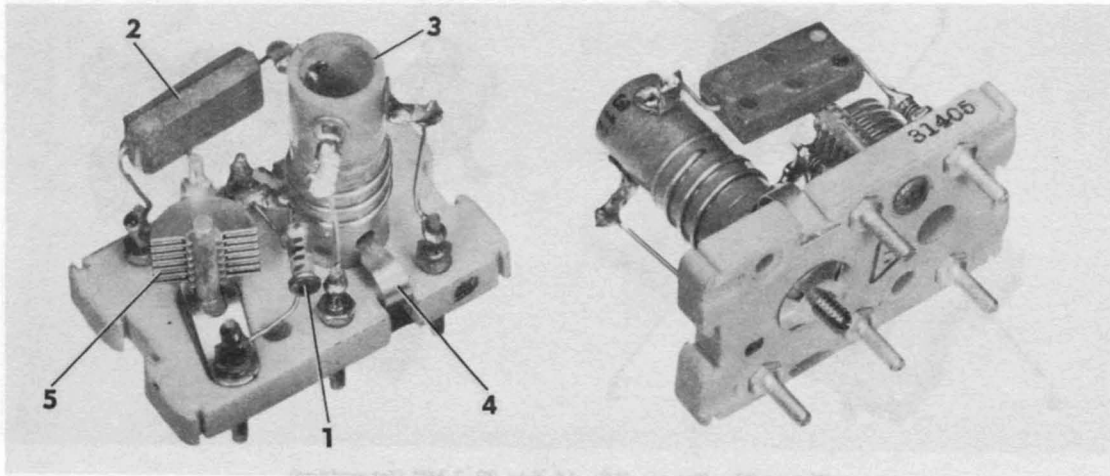


Figure 29. Tuner, RF: 29.7 to 54.0 MC (Input)

FIG & INDEX NO.	PART NUMBER	REF SYMBOL	NAME AND DESCRIPTION							UNITS PER ASSY	APPLI-CATION
			1	2	3	4	5	6	7		
			RADIO RECEIVER SP-600-JX-17, RACK MOUNTINGS TUNER, RF: 29.7 TO 54.0 MC (INPUT)								
29	31405-1	E66	Tuner, RF (See Figure 8-54 for next higher assy)							Ref	
-1	CC20HJ150J	C15	. Capacitor, fixed (JAN-C-20A)							1	
-2	CM30C152G	C17	. Capacitor, fixed (JAN-C-5)							1	
-3	31261-1	L6	. Coil, RF: antenna							1	
-4	31004-1	-	. Spring: flat type							2	
-5	31429-1	-	. Trimmer and Base Assembly							1	
			RADIO RECEIVER SP-600-JX-17, RACK MOUNTINGS TUNER, RF: 29.7 TO 54.0 MC (INTERSTAGE)								
30	31404-1	E73	Tuner, RF (See Figure 8-55 for next higher assy)							Ref	k
30	31404-1	E80	Tuner, RF (See Figure 8-56 for next higher assy)							Ref	k
-1	23003-87C	C39	. Capacitor, fixed							1	k
-1	23003-87C	C59	. Capacitor, fixed							1	l
-2	31262-1	L13	. Coil, RF: interstage							1	k
-2	31262-1	L20	. Coil, RF: interstage							1	l
-3	31004-1	-	. Spring: flat type							2	
-4	31428-1	-	. Trimmer and Base Assembly							1	

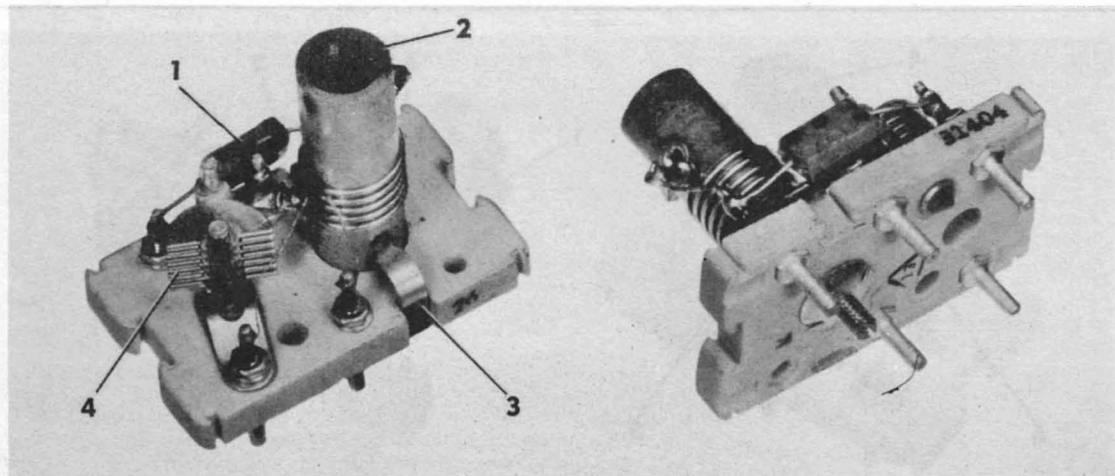


Figure 30. Tuner, RF: 29.7 to 54.0 MC (Interstage)

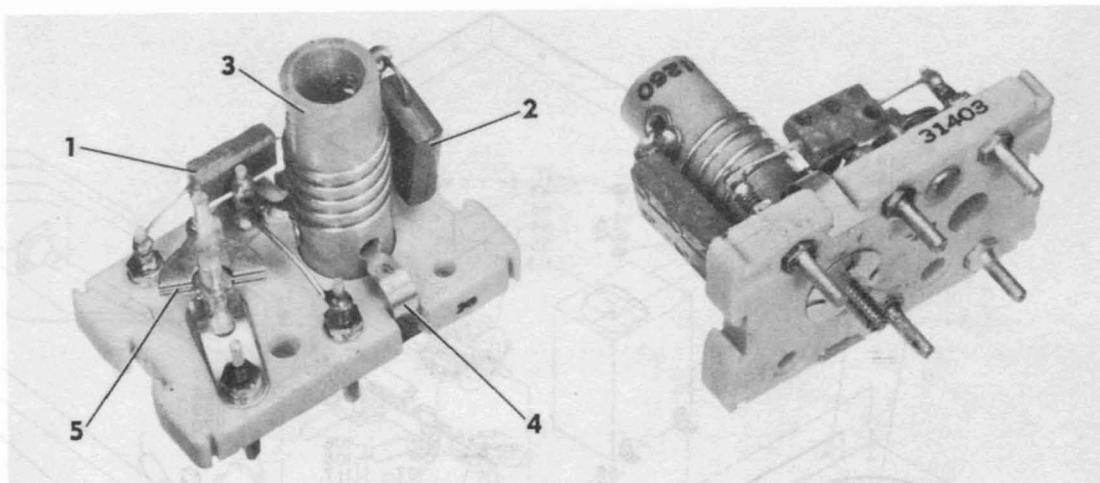


Figure 31. Tuner, RF: 29.7 to 54.0 MC (H-F Osc)

FIG & INDEX NO.	PART NUMBER	REF SYMBOL	NAME AND DESCRIPTION							UNITS PER ASSY	APPLI-CATION
			1	2	3	4	5	6	7		
RADIO RECEIVER SP-600-JX-17, RACK MOUNTINGS											
TUNER, RF: 29.7 TO 54.0 MC (H-F-OSC)											
31	31403-1	E90	Tuner, RF (See Figure 8-57 for next higher assy)							Ref	
-1	23003-87C	C95	. Capacitor, fixed							1	
-2	23072-52	C96	. Capacitor, fixed							1	
-3	31260-1	L30	. Coil, RF: h-f osc							1	
-4	31004-1	-	. Spring: flat type							2	
-5	31430-1	-	. Trimmer and Base Assembly							1	
RADIO RECEIVER SP-600-JX-17, RACK MOUNTINGS											
CHASSIS ASSEMBLY											
32	33906-5	-	Chassis Assembly (See Figure 7-35 for next higher assy)							Ref	
-1	31240-1	-	. Bracket							1	
-2	31133-1	-	. Shield, coil							1	
-3	31019-1	-	. Shield, transf							3	
-4	T-2-5	E9	. Board, terminal (FNK)							1	
-5	31132-1	-	. Shield, transf							1	
-6	31105-1	-	. Shield, transf							1	
-7	Com1	-	. Screw, mach: slot drive; binding hd; steel, cad. pl; No. 6-32, 1/4 in. lg; incl ext tooth steel cad. pl washer 0.270 in. dia x 0.021 in. thick (IFCO) (Att. Pt.)							24	
-8	31116-2	T2	. Transformer, IF: 3,955 kc (See Figure 40 for assy breakdown)							1	
-9	31114-2	T3	. Transformer, IF: 455 kc (See Figure 42 for assy breakdown)							1	
-10	31102-2	T4	. Transformer, IF: 455 kc (See Figure 38 for assy breakdown)							1	
-11	31102-2	T5	. Transformer, IF: 455 kc (See Figure 38 for assy breakdown)							1	
-12	T-2-5	E6	. Board, terminal (FNK)							1	
-13	31106-1	T6	. Beat-freq Oscillator (See Figure 41 for assy breakdown); on all receivers before Serial No. 16572							1	
-13	†31106-4	T6	. Beat-freq Oscillator (See Figure 41 for assy breakdown); on receiver Serial No. 16572 and up							1	
-14	31131-2	-	. 3.5 Mc Oscillator (See Figure 37 for assy breakdown)							1	
-15	2104-6	-	. Terminal, lug: cad. pl (SH)							6	
-16	AN936B6	-	. Washer, lock (Att. Pt.)							1	
-17	Com1	-	. Screw, mach: slot drive; binding hd; steel, cad. pl; No. 6-32, 1/4 in. lg; incl ext tooth steel cad. pl washer 0.270 in. dia x 0.021 in. thick (IFCO) (Att. Pt.)							12	
-18	16141-2	-	. Retainer, electron tube; incl (TTE) top hat No. 2, mtg studs and nuts							1	
-19	16140-2	-	. Retainer, electron tube; incl (TTE) top hat No. 4, mtg studs and nuts							1	
-20	31422-1	-	. Post, supporting							1	
-21	Com1	-	. Screw, mach: slot drive; binding hd; steel, cad. pl; No. 8-32, 1/2 in. lg; incl ext tooth steel cad. pl washer 0.317 in. dia x 0.021 in. thick (IFCO) (Att. Pt.)							1	
-22	31424-1	-	. Post, supporting							2	

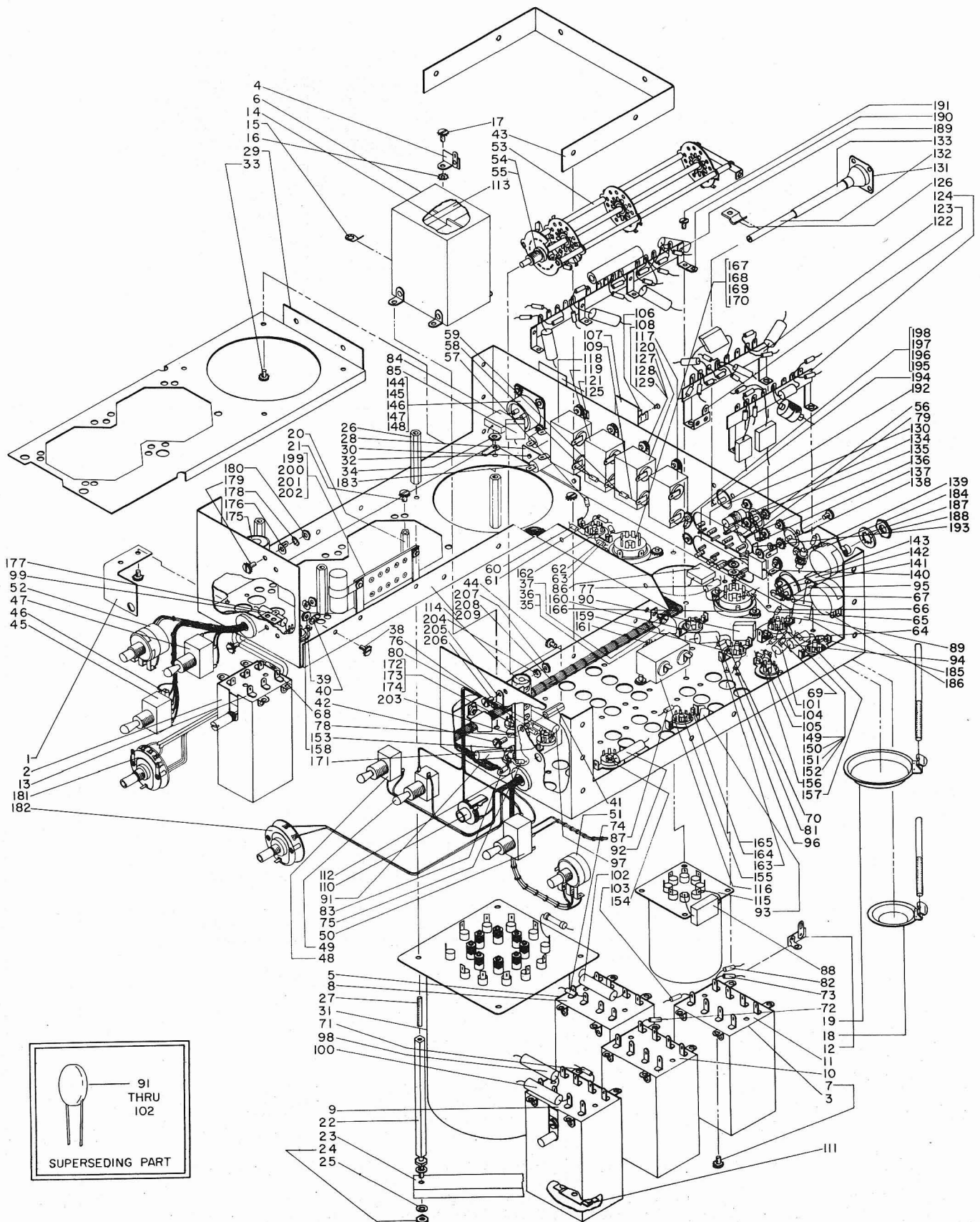


Figure 32. Chassis Assembly

FIG & INDEX NO.	PART NUMBER	REF SYMBOL	NAME AND DESCRIPTION							UNITS PER ASSY	APPLI- CATION
			1	2	3	4	5	6	7		
RADIO RECEIVER SP-600-JX-17, RACK MOUNTINGS CHASSIS ASSEMBLY (cont)											
32-23	31425-1	-	1	
-24	Coml	-	4	
-25	AN936A10	-	4	
-26	31421-1	-	4	
-27	10010-35	-	1	
-28	31142-1	-	1	
-29	31420-1	-	1	
-30	Coml	-	2	
-31	31029-2	T8	1	
-32	2109-10-01	-	1	
-33	Coml	-	5	
-34	Coml	-	1	
-35	79	-	4	
-36	Coml	-	AR	
-37	Coml	-	2	
-38	Coml	-	2	
-39	10012-41	-	1	
-40	AN936B6	-	2	
-41	9226-11	-	1	
-42	Coml	-	2	
-43	31426-1	-	1	
-44	Coml	-	6	
-45	8363	S8	1	
-46	RC20BF335K	R97	1	
-47	8280	S7	1	
-48	8280	S6	1	
-49	8280	S9	1	
-50	81057N	S11	1	
-51	15342-11	R84	1	
-52	15342-21	R93 and S10	1	
-53	31216-1	-	1	
-54	AN936A616	-	1	
-55	10012-90	-	1	
-56	RC20BF103J	R70	1	
-57	RC20BF103J	R90	1	
-58	RC20BF103J	R91	1	
-59	RC20BF103J	R92	1	
-60	RC20BF124J	R87	1	
-61	RC20BF124J	R88	1	
-62	RC20BF823J	R86	1	
-63	RC20BF823J	R89	1	
-64	RC20BF474K	R78	1	
-65	RC20BF474K	R98	1	
-66	RC20BF102K	R83	1	
-67	RC20BF103J	R116	1	
-68	RC20BF104K	R75	1	
-69	RC20BF681K	R79	1	
-70	RC20BF183K	R66	1	
-71	RC20BF100K	R42	1	
-72	RC20BF100K	R50	1	
-73	RC20BF100K	R55	1	
-74	RC20BF222K	R37	1	

FIG & INDEX NO.	PART NUMBER	REF SYMBOL	NAME AND DESCRIPTION							UNITS PER ASSY	APPLI- CATION
			1	2	3	4	5	6	7		
RADIO RECEIVER SP-600-JX-17, RACK MOUNTINGS CHASSIS ASSEMBLY (cont)											
32-75	RC20BF152K	R33	.	Resistor, fixed (JAN-R-11)						1	
-76	RC20BF223J	R36	.	Resistor, fixed (JAN-R-11)						1	
-77	RC30BF361J	R99	.	Resistor, fixed (JAN-R-11)						1	
-78	RC20BF104K	R117	.	Resistor, fixed (JAN-R-11)						1	
-79	RC20BF471J	R114	.	Resistor, fixed (JAN-R-11)						1	
-80	RC20BF510J	R119	.	Resistor, fixed (JAN-R-11)						1	
-81	RC20BF105K	R61	.	Resistor, fixed (JAN-R-11)						1	
-82	RC20BF334J	R113	.	Resistor, fixed (JAN-R-11)						1	
-83	RC20BF391J	R112	.	Resistor, fixed (JAN-R-11)						1	
-84	CM35A103J	C152	.	Capacitor, fixed (JAN-C-5)						1	
-85	CM35A103J	C174	.	Capacitor, fixed (JAN-C-5)						1	
-86	CM35A103J	C177	.	Capacitor, fixed (JAN-C-5)						1	
-87	CM30C102G	C165	.	Capacitor, fixed (JAN-C-5)						1	
-88	23070-40	C150	.	Capacitor, fixed: 2,500 mmf \pm 10%; 800 v dcw (AEV type No. 1441 WP)						1	
-89	CM35A512J	C147	.	Capacitor, fixed (JAN-C-5)						1	
-90	CM35A512J	C149	.	Capacitor, fixed (JAN-C-5)						1	
-91	†Com1	C105	.	Capacitor, fixed: 10,000 mmf (RAMT type B)						1	
-91	Com1	C105	.	Capacitor, fixed: 10,000 mmf (AEV type P488 or P487)						1	
-92	†Com1	C116	.	Capacitor, fixed: 10,000 mmf (RAMT type B)						1	
-92	Com1	C116	.	Capacitor, fixed: 10,000 mmf (AEV type P488 or P487)						1	
-93	†Com1	C122	.	Capacitor, fixed: 10,000 mmf (RAMT type B)						1	
-93	Com1	C122	.	Capacitor, fixed: 10,000 mmf (AEV type P488 or P487)						1	
-94	†Com1	C135	.	Capacitor, fixed: 10,000 mmf (RAMT type B)						1	
-94	Com1	C135	.	Capacitor, fixed: 10,000 mmf (AEV type P488 or P487)						1	
-95	†Com1	C166	.	Capacitor, fixed: 10,000 mmf (RAMT type B)						1	
-95	Com1	C166	.	Capacitor, fixed: 10,000 mmf (AEV type P488 or P487)						1	
-96	†Com1	C162	.	Capacitor, fixed: 10,000 mmf (RAMT type B)						1	
-96	Com1	C162	.	Capacitor, fixed: 22,000 mmf (AEV type P488 or P487)						1	
-97	†Com1	C106	.	Capacitor, fixed: 10,000 mmf (RAMT type B)						1	
-97	Com1	C106	.	Capacitor, fixed: 22,000 mmf (AEV type P488 or P487)						1	
-98	†Com1	C109	.	Capacitor, fixed: 10,000 mmf (RAMT type B)						1	
-98	Com1	C109	.	Capacitor, fixed: 22,000 mmf (AEV type P488 or P487)						1	
-99	†Com1	C136	.	Capacitor, fixed: 10,000 mmf (RAMT type B)						1	
-99	Com1	C136	.	Capacitor, fixed: 22,000 mmf (AEV type P488 or P487)						1	
-100	†Com1	C108	.	Capacitor, fixed: 10,000 mmf (RAMT type B)						1	
-100	Com1	C108	.	Capacitor, fixed: 22,000 mmf (AEV type P488 or P487)						1	
-101	†Com1	C146	.	Capacitor, fixed: 10,000 mmf (RAMT type B)						1	
-101	Com1	C146	.	Capacitor, fixed: 22,000 mmf (AEV type P488 or P487)						1	
-102	†Com1	C156	.	Capacitor, fixed: 10,000 mmf (RAMT type B)						1	
-102	Com1	C156	.	Capacitor, fixed: 22,000 mmf (AEV type P488 or P487)						1	
-103	CC20HJ150J	C145	.	Capacitor, fixed (JAN-C-20A)						1	
-104	CC21UJ510F	C138	.	Capacitor, fixed (JAN-C-20A)						1	
-105	CC21UJ510F	C139	.	Capacitor, fixed (JAN-C-20A)						1	
-106	4099	-	.	Clamp, electrical (BUS)						4	
-107	31493-1	-	.	Plate, identification: spare fuses						1	
-108	10006-26	-	.	Rivet						4	
-109	Com1	-	.	Tubing: covers part leads and bare wire; extruded plastic vinylite, black; hyflex, wire size No. 17 (IVI)						AR	
-110	JK-34A	J3	.	Jack, telephone: incl one hex nut and one washer [JAN-J-641 (1)]						1	
-111	31023-1	-	.	Spring: flat type; "U" shape						5	
-112	2029	-	.	Grommet: neoprene (CAF)						2	
-113	31472-1	-	.	Block, support: bakelite						1	
-114	CP28AIEC503M	C144	.	Capacitor, fixed (JAN-C-25)						1	
-115	31086-2	T7	.	Transformer, AF: one sec phone wdg and one split sec output wdg (UNT)						1	
-116	CE63D100H	C128	.	Capacitor, fixed: electrolytic (JAN-C-62)						1	
-117	CE63D100H	C151	.	Capacitor, fixed: electrolytic (JAN-C-62)						1	
-118	CE63D100H	C158	.	Capacitor, fixed: electrolytic (JAN-C-62)						1	
-119	CE63D100H	C159	.	Capacitor, fixed: electrolytic (JAN-C-62)						1	
-120	CE63D100H	C160	.	Capacitor, fixed: electrolytic (JAN-C-62)						1	
-121	2104-6	-	.	Terminal, lug: cad. pl (SH)						1	
-122	31151-1	-	.	Resistor-Capacitor Subassembly (See Figure 34 for assy breakdown)						1	
-123	2423	E4	.	Board, terminal (ICA)						1	
-124	31217-2	-	.	Resistor-Capacitor Subassembly (See Figure 35 for assy breakdown)						1	
-125	31492-1	-	.	Plate, identification: fuse						1	
-126	78	-	.	Clamp: #6 mtg hole (ZE)						1	

FIG & INDEX NO.	PART NUMBER	REF SYMBOL	NAME AND DESCRIPTION							UNITS PER ASSY	APPLI- CATION
			1	2	3	4	5	6	7		
			RADIO RECEIVER SP-600-JX-17, RACK MOUNTINGS CHASSIS ASSEMBLY (cont)								
32-127	Com1	-	19	
			18	
-128	AN936B6	-	18	
-129	10012-41	-	18	
-130	SO-239	J6	1	
-131	UG-177/U	-	1	
-132	RG-58/U	-	AR	
-133	Com1	-	AR	
			1	
-134	SO-239	J7	1	
-135	31488-1	L54	1	
-136	T-2-5	E8	1	

FIG & INDEX NO.	PART NUMBER	REF SYMBOL	NAME AND DESCRIPTION							UNITS PER ASSY	APPLI- CATION
			1	2	3	4	5	6	7		
			RADIO RECEIVER SP-600-JX-17, RACK MOUNTINGS CHASSIS ASSEMBLY (cont)								
32-137	2104-6	-								1	
-138	SO-239	J2								1	
-139	31488-1	L53								1	
-140	2104-6	-								1	
-141	AN3102A-14S-2S	J4								1	
-142	1520	E5								1	
-143	2104-6	-								1	
-144	AN3102A-18-3P	J5								1	
-145	2104-6	-								2	
-146	Coml	-									
										20	
-147	AN936B4	-								20	
-148	Coml	-									
										20	
-149	TS103P01	X16								1	
-150	2104-6	-								1	
-151	2116-06	-								1	
-152	Coml	-									
										2	
-153	TS102P01	X7								1	
-154	TS102P01	X9								1	
-155	TS102P01	X10								1	
-156	TS102P01	X11								1	
-157	TS102P01	X12								1	
-158	TS102P01	X13								1	
-159	TS102P01	X14								1	
-160	TS102P01	X15								1	
-161	TS102P01	X18								1	
-162	TS102P01	X20								1	
-163	16174-1	-								10	
-164	AN936B4	-								22	
-165	Coml	-									
										22	
-166	TS101P01	X17								1	
-167	TS101P01	X19								1	
-168	AN936B6	-								4	
-169	Coml	-								4	
-170	10012-41	-								4	
-171	TS102P01	X6								1	
-172	TS102P01	X8								1	
-173	Coml	-									
										4	
-174	Coml	-									
										4	
-175	CP28AIEC254M	C137								1	
-176	2104-6	-								1	
-177	T-2-5	E10								1	
-178	AN936B6	-								2	
-179	Coml	-									
										5	
-180	10012-41	-								3	
-181	31469-3	S12								1	
-182	31469-2	S13								1	
-183	15923-1	-									
										2	
-184	15366-1	R69								1	
-185	RC20BF101J	R74								1	
-186	15342-4	R101								1	
-187	AN936A616	-								2	
-188	10012-90	-								2	
-189	31140-2	-									
										1	
-190	2104-6	-								4	
-191	Coml	-									
										4	

FIG & INDEX NO.	PART NUMBER	REF SYMBOL	NAME AND DESCRIPTION							UNITS PER ASSY	APPLI- CATION
			1	2	3	4	5	6	7		
			RADIO RECEIVER SP-600-JX-17, RACK MOUNTINGS CHASSIS ASSEMBLY (cont)								
32-192	31141-1	E2	. Board, terminal: marked: AUDIO OUTPUT (JNS)							1	
-193	T-2-5	E7	. Board, terminal (FNK)							1	
-194	31480-1	E3	. Board, terminal							1	
-195	2104-6	-	. Terminal, lug: cad. pl (SH)							1	
-196	AN936B6	-	. Washer, lock (Att. Pt.)							4	
-197	Coml	-	. Screw, mach: slot drive; binding hd; steel, cad. pl; No. 6-32, 3/8 in. lg; incl ext tooth steel cad. pl washer 0.270 in. dia x 0.021 in. thick (IFCO) (Att. Pt.)							4	
-198	10012-41	-	. Nut, hex (Att. Pt.)							4	
-199	33929-2	-	. Resistor-Capacitor Subassembly (See Figure 43 for assy breakdown)							1	
-200	AN936B6	-	. Washer, lock (Att. Pt.)							2	
-201	Coml	-	. Screw, mach: slot drive; binding hd; steel, cad. pl; No. 6-32, 3/8 in. lg; incl ext tooth steel cad. pl washer 0.270 in. dia x 0.021 in. thick; (IFCO) (Att. Pt.)							2	
-202	10012-41	-	. Nut, hex (PHE) (Att. Pt.)							2	
-203	T-8-6	E14	. Board, terminal (FNK)							1	
-204	AN936B6	-	. Washer, lock (Att. Pt.)							1	
-205	2104-6	-	. Terminal, lug; cad. pl (SH)							1	
-206	Coml	-	. Screw, mach: slot drive; binding hd; steel, cad. pl; No. 6-32, 5/16 in. lg; incl ext tooth steel cad. pl washer 0.271 in. dia x 0.021 in. thick (IFCO) (Att. Pt.)							2	
-207	10012-41	-	. Nut, hex (PHE) (Att. Pt.)							2	
-208	31235-4	-	. Wiring Assembly: main chassis cable; comprises forty-eight wires; "U" shaped							1	
-209	31135-5	-	. Chassis							1	
			RADIO RECEIVER SP-600-JX-17, RACK MOUNTINGS SELECTIVITY SWITCH ASSEMBLY								
33	31216-1	-	Switch Assembly (See Figure 32-53 for next higher assy)							Ref	
-1	15856-1	S5	. Switch, rotary (incl washer and nut) (OAK) (type H)							1	
-2	31176-1	-	. Bracket							1	
-3	10026-14	-	. Washer, lock: nickel pl							2	
-4	10012-39	-	. Nut, hex: cad. pl							2	
-5	RC20BF183K	R47	. Resistor, fixed (JAN-R-11)							1	
-6	RC20BF112J	R46	. Resistor, fixed (JAN-R-11)							1	
-7	RC20BF241J	R45	. Resistor, fixed (JAN-R-11)							1	

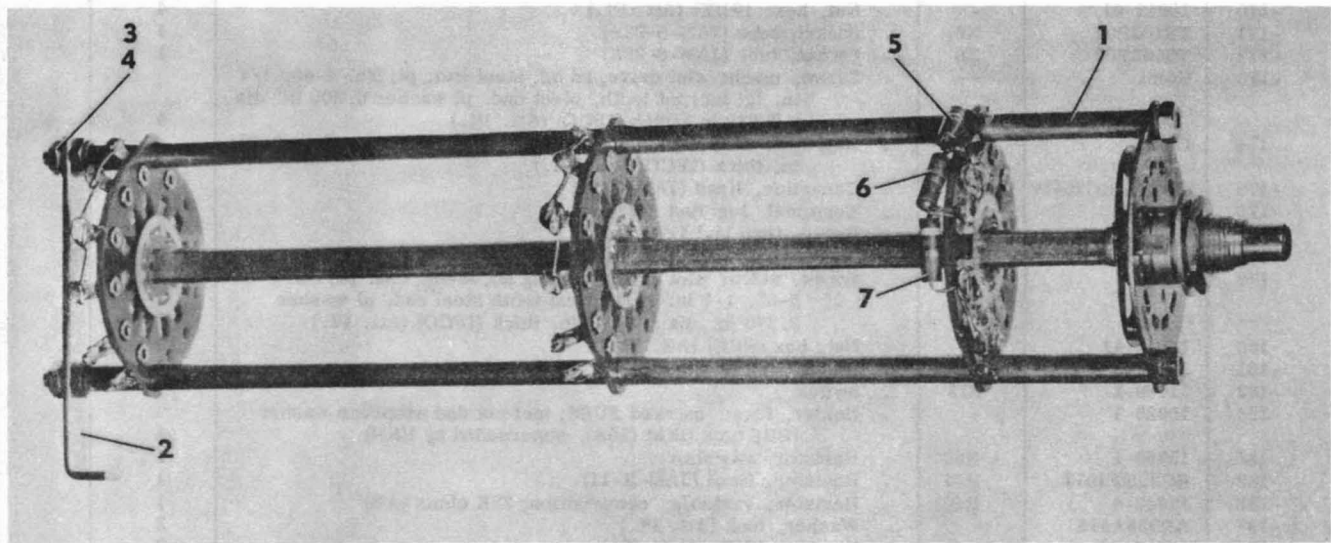


Figure 33. Selectivity Switch Assembly

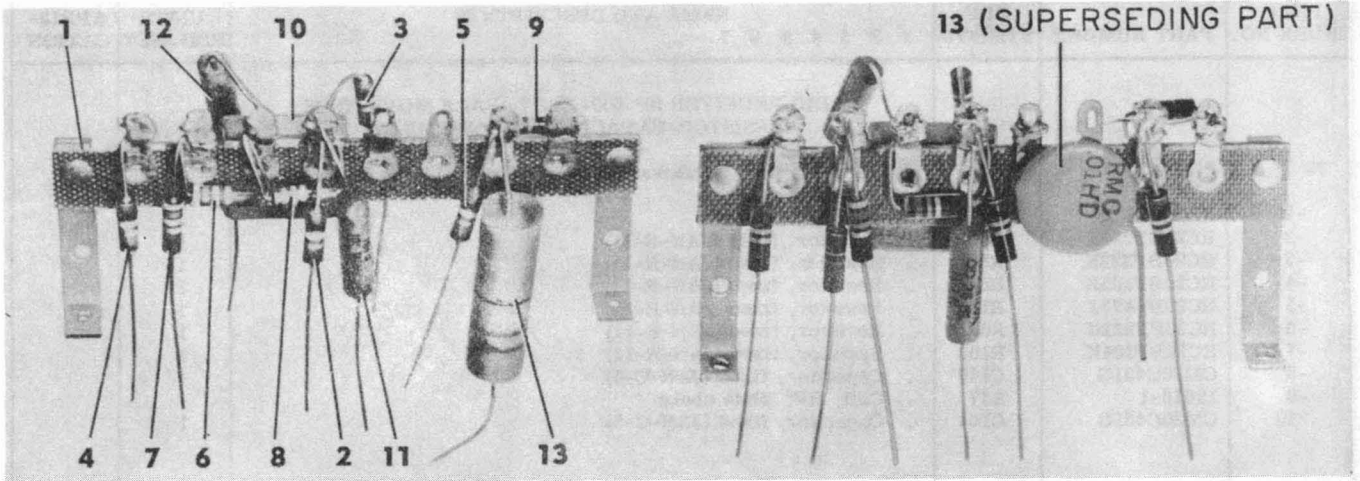


Figure 34. Resistor-Capacitor Subassembly

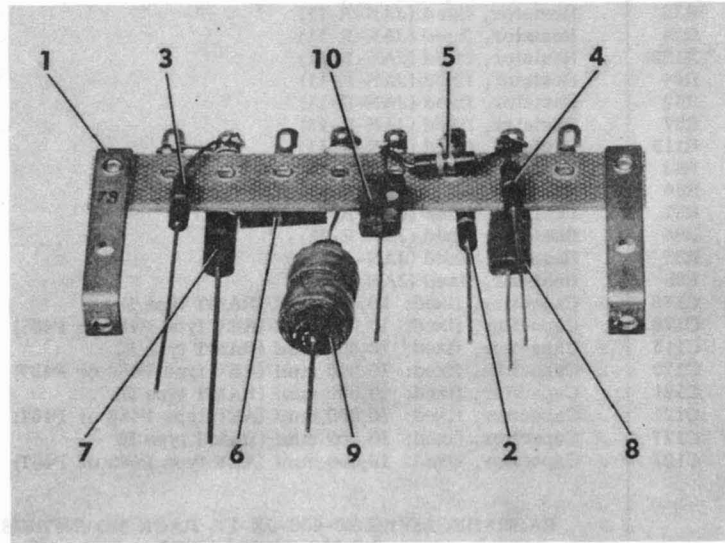


Figure 35. Resistor-Capacitor Subassembly

FIG & INDEX NO.	PART NUMBER	REF SYMBOL	NAME AND DESCRIPTION							UNITS PER ASSY	APPLI-CATION
			1	2	3	4	5	6	7		
34	31151-1	-	RADIO RECEIVER SP-600-JX-17, RACK MOUNTINGS RESISTOR-CAPACITOR SUBASSEMBLY								
			Resistor-Capacitor Subassembly (See Figure 32-122 for next higher assy)								
-1	31163-1	E15								Ref	
-2	RC20BF104K	R62								1	
-3	RC20BF104K	R67								1	
-4	RC20BF104K	R68								1	
-5	RC20BF104K	R81								1	
-6	RC20BF473K	R64								1	
-7	RC20BF473K	R65								1	
-8	RC20BF273K	R63								1	
-9	RC20BF103J	R82								1	
-10	CM35A512J	C143								1	
-11	CC26SL101K	C141								1	
-12	CC26SL101K	C142								1	
-13	†Com1	C148								1	
-13	Com1	C148								1	

FIG & INDEX NO.	PART NUMBER	REF SYMBOL	NAME AND DESCRIPTION							UNITS PER ASSY	APPLI- CATION
			1	2	3	4	5	6	7		
RADIO RECEIVER SP-600-JX-17, RACK MOUNTINGS RESISTOR-CAPACITOR SUBASSEMBLY											
35	31217-2	-	Resistor-Capacitor Subassembly (See Figure 32-124 for next higher assy)							Ref	
-1	31163-1	E16	. Board, terminal							1	
-2	RC20BF222K	R58	. Resistor, fixed (JAN-R-11)							1	
-3	RC20BF222K	R80	. Resistor, fixed (JAN-R-11)							1	
-4	RC20BF105K	R60	. Resistor, fixed (JAN-R-11)							1	
-5	RC20BF473J	R111	. Resistor, fixed (JAN-R-11)							1	
-6	RC30BF222K	R59	. Resistor, fixed (JAN-R-11)							1	
-7	RC20BF104K	R100	. Resistor, fixed (JAN-R-11)							1	
-8	CM20C431G	C140	. Capacitor, fixed (JAN-C-5)							1	
-9	15616-1	L47	. Coil, RF: plate choke							1	
-10	CM20C431G	C164	. Capacitor, fixed (JAN-C-5)							1	
RADIO RECEIVER SP-600-JX-17, RACK MOUNTINGS RESISTOR-CAPACITOR SUBASSEMBLY											
36	31140-2	-	Resistor-Capacitor Subassembly (See Figure 32-189 for next higher assy)							Ref	
-1	31162-1	E17	. Board, terminal (LTJI)							1	
-2	RC20BF511J	R32	. Resistor, fixed (JAN-R-11)							1	
-3	RC20BF333J	R39	. Resistor, fixed (JAN-R-11)							1	
-4	RC20BF103J	R122	. Resistor, fixed (JAN-R-11)							1	
-5	RC20BF103J	R44	. Resistor, fixed (JAN-R-11)							1	
-6	RC20BF103J	R52	. Resistor, fixed (JAN-R-11)							1	
-7	RC20BF103J	R57	. Resistor, fixed (JAN-R-11)							1	
-8	RC20BF104K	R115	. Resistor, fixed (JAN-R-11)							1	
-9	RC20BF104K	R43	. Resistor, fixed (JAN-R-11)							1	
-10	RC20BF104K	R56	. Resistor, fixed (JAN-R-11)							1	
-11	RC20BF104K	R51	. Resistor, fixed (JAN-R-11)							1	
-12	RC20BF223J	R96	. Resistor, fixed (JAN-R-11)							1	
-13	RW32G252	R85	. Resistor, fixed (JAN-R-26A)							1	
-14	RC20BF823J	R95	. Resistor, fixed (JAN-R-11)							1	
-15	†Coml	C176	. Capacitor, fixed: 10,000 mmf (RAMT type B)							1	
-15	Coml	C176	. Capacitor, fixed: 10,000 mmf (AEV type P488 or P487)							1	
-16	†Coml	C115	. Capacitor, fixed: 10,000 mmf (RAMT type B)							1	
-16	Coml	C115	. Capacitor, fixed: 10,000 mmf (AEV type P488 or P487)							1	
-17	†Coml	C121	. Capacitor, fixed: 10,000 mmf (RAMT type B)							1	
-17	Coml	C121	. Capacitor, fixed: 10,000 mmf (AEV type P488 or P487)							1	
-18	†Coml	C127	. Capacitor, fixed: 10,000 mmf (RAMT type B)							1	
-18	Coml	C127	. Capacitor, fixed: 10,000 mmf (AEV type P488 or P487)							1	
RADIO RECEIVER SP-600-JX-17, RACK MOUNTINGS 3.5-MC OSCILLATOR											
37	31131-2	-	3.5-mc Oscillator (See Figure 32-14 for next higher assy)							Ref	
-1	31124-2	-	. Board, terminal							1	
-2	RC20BF433J	R38	. Resistor, fixed (JAN-R-11)							1	
-3	RC30BF203J	R40	. Resistor, fixed (JAN-R-11)							1	
-4	†Coml	C103	. Capacitor, fixed: 10,000 mmf (RAMT type B)							1	
-4	Coml	C103	. Capacitor, fixed: 22,000 mmf (AEV type P488 or P487)							1	
-5	†Coml	C104	. Capacitor, fixed: 10,000 mmf (RAMT type B)							1	
-5	Coml	C104	. Capacitor, fixed: 22,000 mmf (AEV type P488 or P487)							1	
-6	15621-1	L22	. Coil, RF: plate choke							1	
-7	31130-1	Y7	. Crystal Unit, quartz: one crystal plate included; 3.5 mc nominal frequency; marked 3,500 KC (BLY, type VX2)							1	
-8	CC21 UJ050C	C167	. Capacitor, fixed (JAN-C-20A)							1	
-9	CC21 UJ050C	C168	. Capacitor, fixed (JAN-C-20A)							1	
-10	CC20HJ150J	C171	. Capacitor, fixed (JAN-C-20A)							1	
-11	CC21 UJ120J	C170	. Capacitor, fixed (JAN-C-20A)							1	
-12	23071-73	C173	. Capacitor, fixed							1	
-13	CM20C101G	C172	. Capacitor, fixed (JAN-C-5)							1	
-14	CM30C102G	C169	. Capacitor, fixed (JAN-C-5)							1	
-15	RC20BF222K	R118	. Resistor, fixed (JAN-R-11)							1	
-16	Coml	-	. Tubing: on one wire; plastic vinylite, white; hyflex, wire size No. 17 (IVI)							AR	

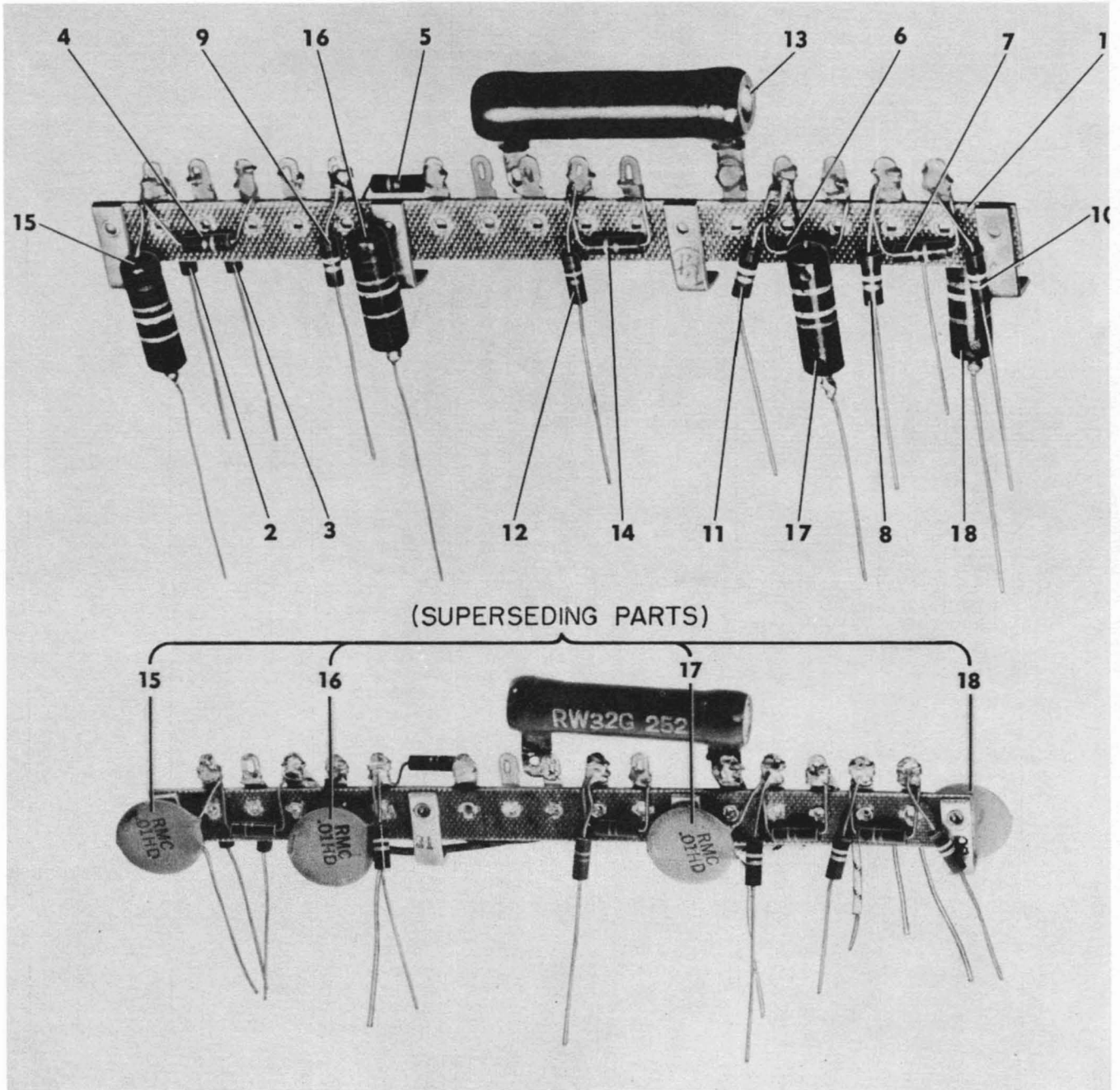


Figure 36. Resistor-Capacitor Subassembly

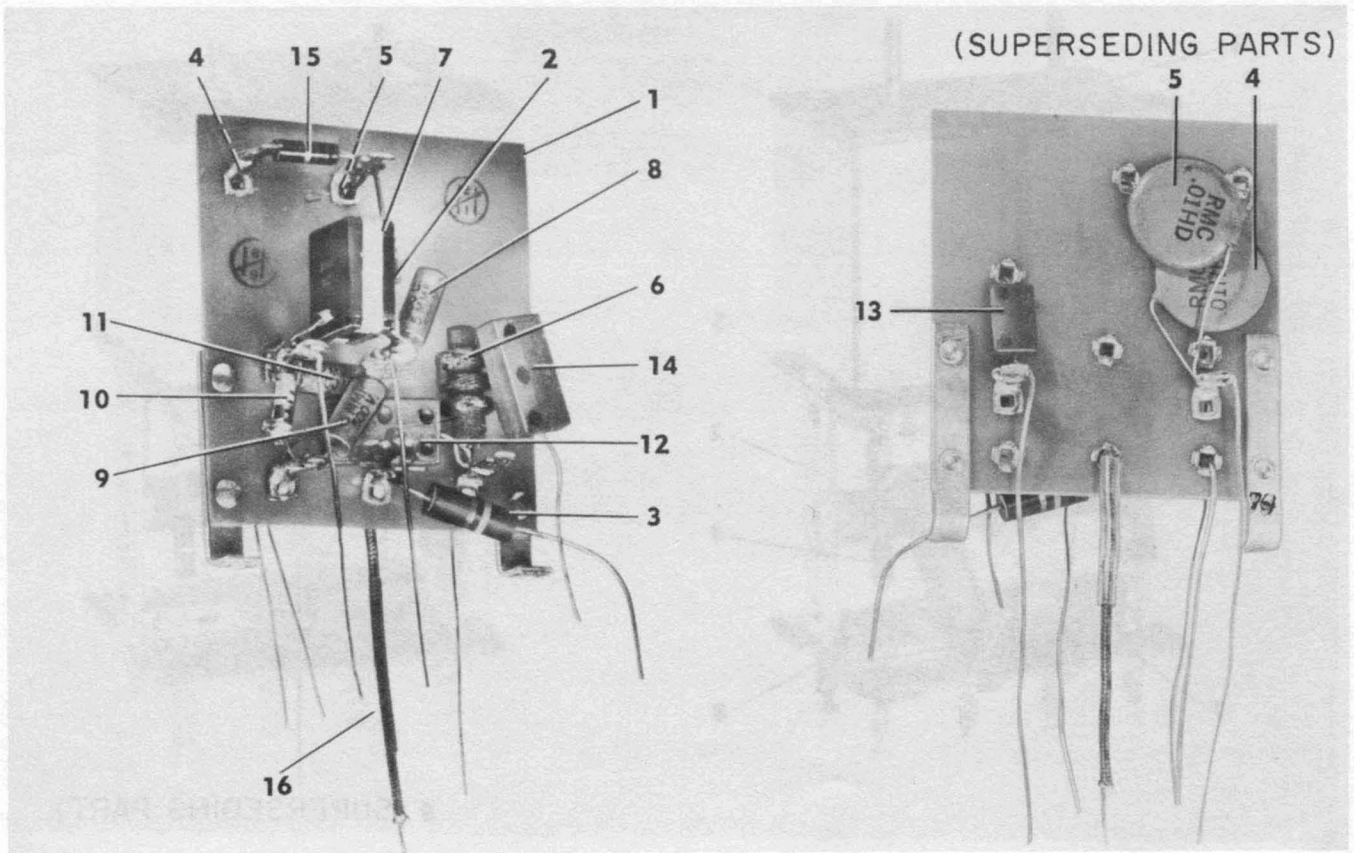


Figure 37. 3.5-MC Oscillator

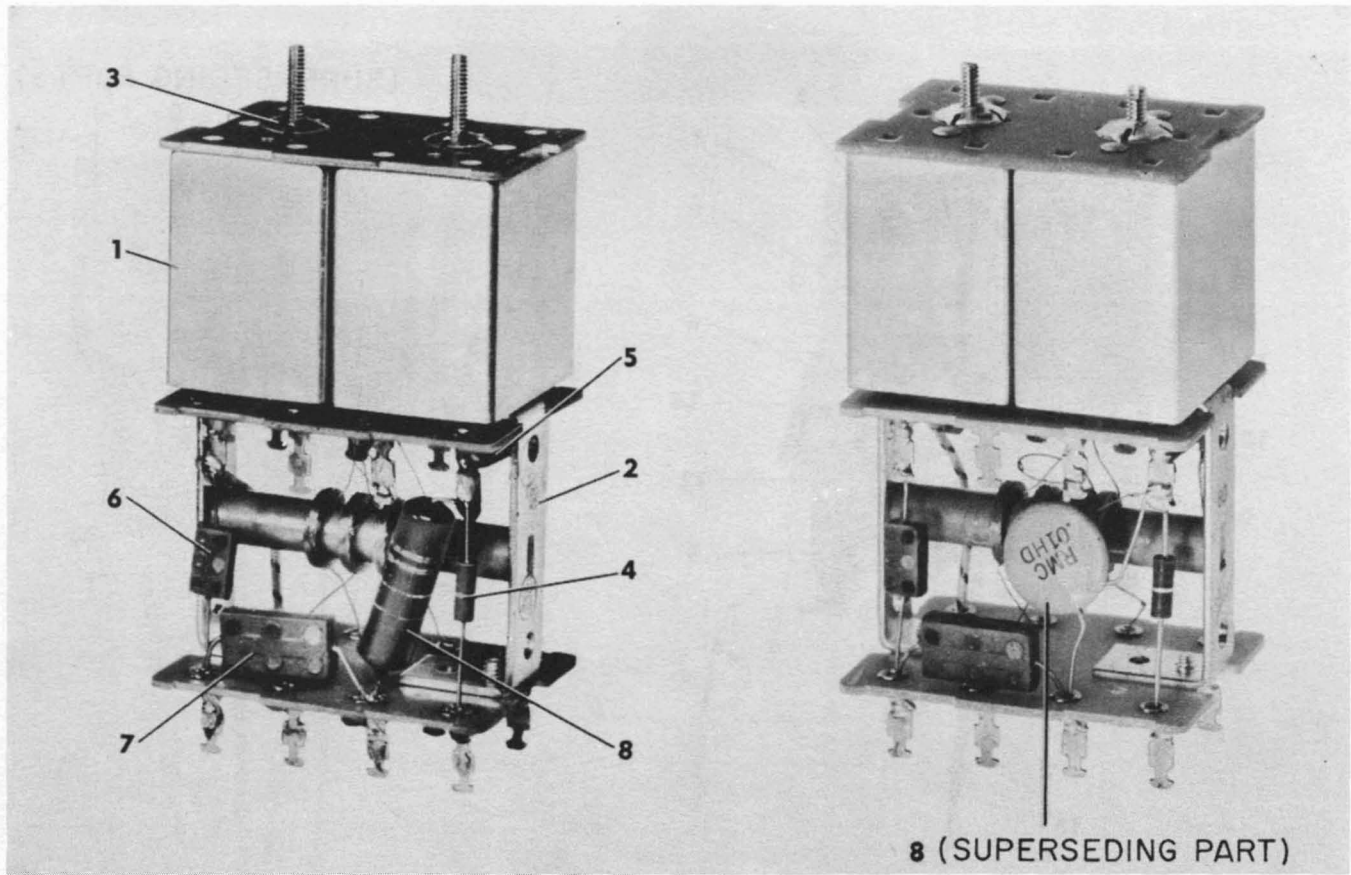


Figure 38. Transformer, IF

FIG & INDEX NO.	PART NUMBER	REF SYMBOL	NAME AND DESCRIPTION							UNITS PER ASSY	APPLI-CATION
			1	2	3	4	5	6	7		
			RADIO RECEIVER SP-600-JX-17, RACK MOUNTINGS TRANSFORMER, IF								
38	31102-2	T4								Ref	m
38	31102-2	T5								Ref	n
-1	31021-1	-								1	
-2	31101-1	-								1	
-3	11-593-A	-								2	
-4	RC20BF222K	R49								1	m
-4	RC20BF222K	R54								1	n
-5	23003-102C	C117								1	m
-5	23003-102C	C124								1	n
-6	23003-105C	C119								1	m
-6	23003-105C	C125								1	n
-7	CM30C132G	C120								1	m
-7	CM30C132G	C126								1	n
-8	†Com1	C118								1	m
-8	Com1	C118								1	m
-8	†Com1	C123								1	n
-8	Com1	C123								1	n

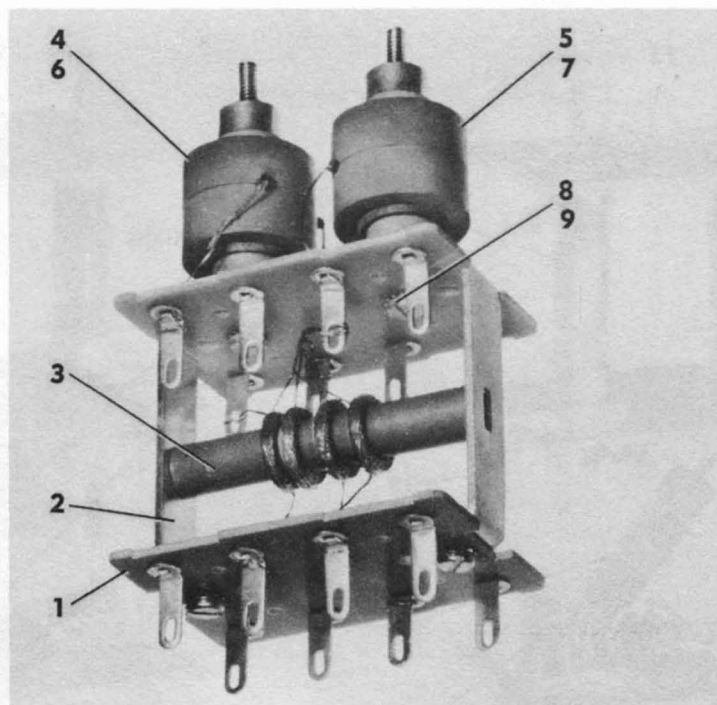


Figure 39. I-F Subassembly

FIG & INDEX NO.	PART NUMBER	REF SYMBOL	NAME AND DESCRIPTION							UNITS PER ASSY	APPLI- CATION
			1	2	3	4	5	6	7		
			RADIO RECEIVER SP-600-JX-17, RACK MOUNTINGS I-F SUBASSEMBLY								
39	31101-1	-	I-f Subassembly (See Figure 38-2 for next higher assy)							Ref	m, n
-1	31092-1	-	. Board, terminal							2	
-2	31017-2	-	. Bracket: part of subassembly; "U" shape							2	
-3	31026-1	L40	. Coil, RF: i-f transf coupling coil							1	m
-3	31026-1	L43	. Coil, RF: i-f transf coupling coil							1	n
-4	31067-1	L38	. Coil Assembly, IF: includes two iron cups							1	m
-5	31067-1	L39	. Coil Assembly, IF: includes two iron cups							1	m
-6	31067-1	L41	. Coil Assembly, IF: includes two iron cups							1	n
-7	31067-1	L42	. Coil Assembly, IF: includes two iron cups							1	n
-8	Com1	-	. Screw, mach: slot drive; binding hd; steel, cad. pl; No. 6-32, 5/16 in. lg; incl ext tooth steel cad. pl washer 0.270 in. dia x 0.021 in. thick (IFCO) (Att. Pt.)							2	
-9	AN936B6	-	. Washer, lock (Att. Pt.)							2	
			RADIO RECEIVER SP-600-JX-17, RACK MOUNTINGS TRANSFORMER, IF (3.955 MC)								
40	31116-2	T2	Transformer, IF (See Figure 32-8 for next higher assy)							Ref	
-1	†Com1	C98	. Capacitor, fixed: 10,000 mmf (RAMT type B)							1	
-1	Com1	C98	. Capacitor, fixed: 22,000 mmf (AEV type P488 or P487)							1	
-2	†Com1	C157	. Capacitor, fixed: 10,000 mmf (RAMT type B)							1	
-2	Com1	C157	. Capacitor, fixed: 22,000 mmf (AEV type P488 or P487)							1	
-3	23003-87C	C99	. Capacitor, fixed							1	
-4	23071-58	C97	. Capacitor, fixed							1	
-5	RC20BF104K	R35	. Resistor, fixed (JAN-R-11)							1	
-6	15613-1	L50	. Coil, RF: filament choke							1	
-7	31209-1	-	. I-f Coil and Ferrule Assembly							1	
-8	31115-1	L34	. . Coil, RF: output of i-f transf							1	
-9	31090-1	-	. . Core, adjustable tuning: incl powdered iron core and screw; end of core coated with green lacquer (CHL HF7 core type 3)							1	
-10	31110-1	-	. I-f Coil and Ferrule Assembly							1	
-11	31111-1	L33	. . Coil, RF: input and tertiary wdg of i-f transf							1	
-12	31090-1	-	. . Core, adjustable tuning: incl powdered iron core and screw; end of core coated with green lacquer (CHL HF7 core type 3)							1	

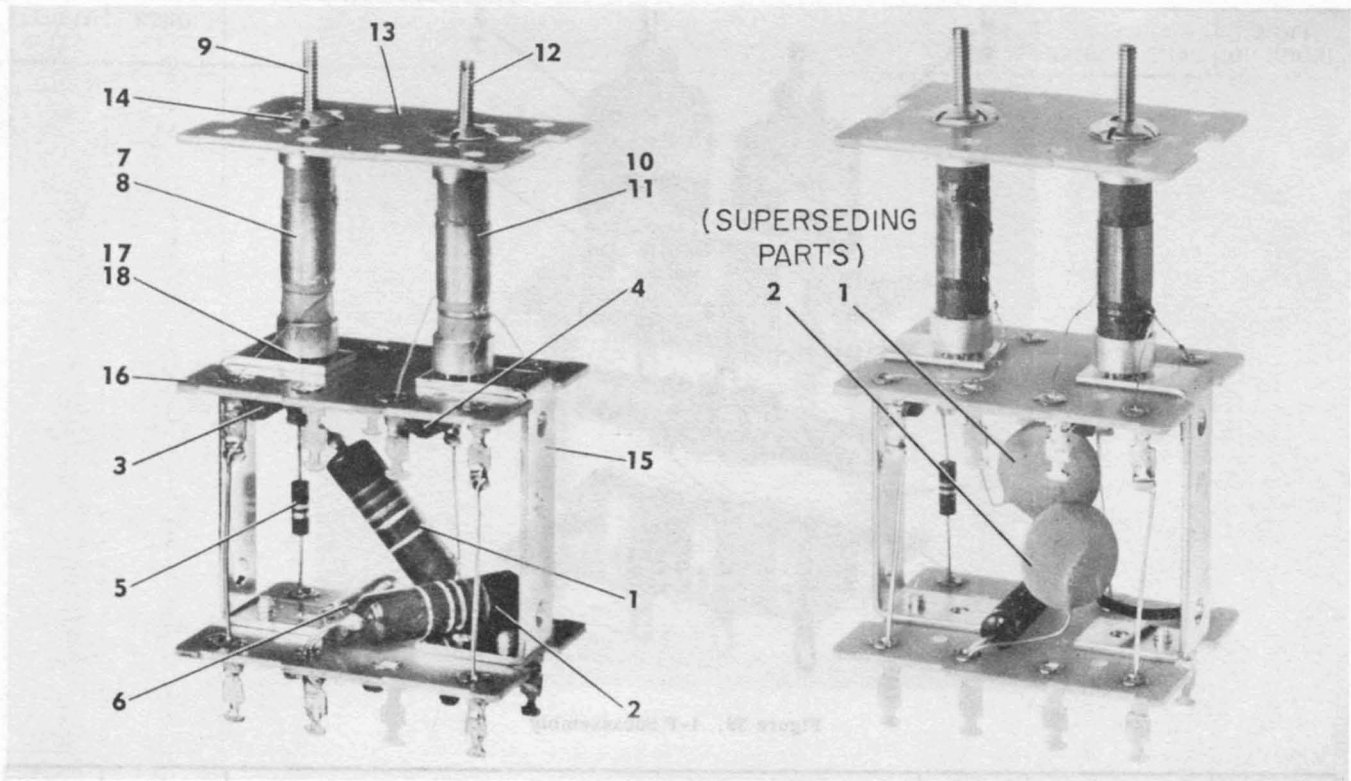


Figure 40. Transformer, IF (3.955 MC)

FIG & INDEX NO.	PART NUMBER	REF SYMBOL	NAME AND DESCRIPTION							UNITS PER ASSY	APPLI- CATION
			1	2	3	4	5	6	7		
			RADIO RECEIVER SP-600-JX-17, RACK MOUNTINGS TRANSFORMER, IF (3.955 MC) (cont)								
40-13	31022-1	-	.							1	
-14	11-593-A	-	.							2	
-15	31017-1	-	.							2	
-16	31092-1	-	.							2	
-17	AN936B6	-	.							2	
-18	Com1	-	.							2	
			RADIO RECEIVER SP-600-JX-17, RACK MOUNTINGS BEAT-FREQUENCY OSCILLATOR								
41	31106-1	T6								Ref	o
41	31106-4	T6								Ref	p
-1	23003-109C	C131	.							1	
-2	23003-109C	C133	.							1	
-3	23003-87C	C134	.							1	
-4	CM30C242J	C132	.							1	
-5	CC21UJ270J	C130	.							1	
-6	RC20BF473K	R77	.							1	
-7	RC20BF104K	R76	.							1	
-8	3124-1	-	.							1	
-9	10012-41	-	.							1	
-10	AN936A6	-	.							1	
-11	15615-2	L46	.							1	
-12	31070-1	-	.							1	o
-12	31070-3	-	.							1	p
-13	31072-1	L45	.							1	

FIG & INDEX NO.	PART NUMBER	REF SYMBOL	NAME AND DESCRIPTION							UNITS PER ASSY	APPLI-CATION
			1	2	3	4	5	6	7		
			RADIO RECEIVER SP-600-JX-17, RACK MOUNTINGS BEAT-FREQUENCY OSCILLATOR								
41-14	31018-1	-	.	.	Core, adjustable tuning: incl powdered iron core and screw; end of core coated with white lacquer (CHLHF7 core type 3)					1	
-15	31071-1	-	.		B-f-o Coil and Ferrule Assembly					1	
-16	31073-1	L44	.	.	Coil, RF: fixed tuned b-f-o coil					1	
-17	31018-1	-	.	.	Core, adjustable tuning: incl powdered iron core and screw; end of core coated with white lacquer (CHLHF7 core type 3)					1	
-18	31027-1	-	.		Board, terminal					1	
-19	C7133B-632-012	-	.		Spring: flat type; cad. pl (TIN) (Att. Pt.)					1	
-20	31076-1	-	.		Spring: flat type (Att. Pt.)					1	o
-20	31076-2	-	.		Spring: flat type (Att. Pt.)					1	p
-21	31028-1	-	.		Bracket: "U" shape					1	o
-21	31028-2	-	.		Bracket: "U" shape					1	p
-22	31091-1	-	.		Board, terminal					1	
-23	31091-2	-	.		Board, terminal					1	
-24	AN936B6	-	.		Washer, lock (Att. Pt.)					2	o
-24	AN936B6	-	.		Washer, lock (Att. Pt.)					1	p
-25	Com1	-	.		Screw, mach: slot drive; binding hd; steel, cad. pl; No. 6-32, 5/16 in. lg; incl ext tooth steel cad. pl washer 0.270 in. dia x 0.021 in. thick (IFCO) (Att. Pt.)					2	o
-25	Com1	-	.		Screw, mach: slot drive; binding hd; steel, cad. pl; No. 6-32, 5/16 in. lg; incl ext tooth steel cad. pl washer 0.270 in. dia x 0.021 in. thick (IFCO) (Att. Pt.)					1	p
-26	10012-30	-	.		Nut, hex (PHE) (Att. Pt.)					1	p

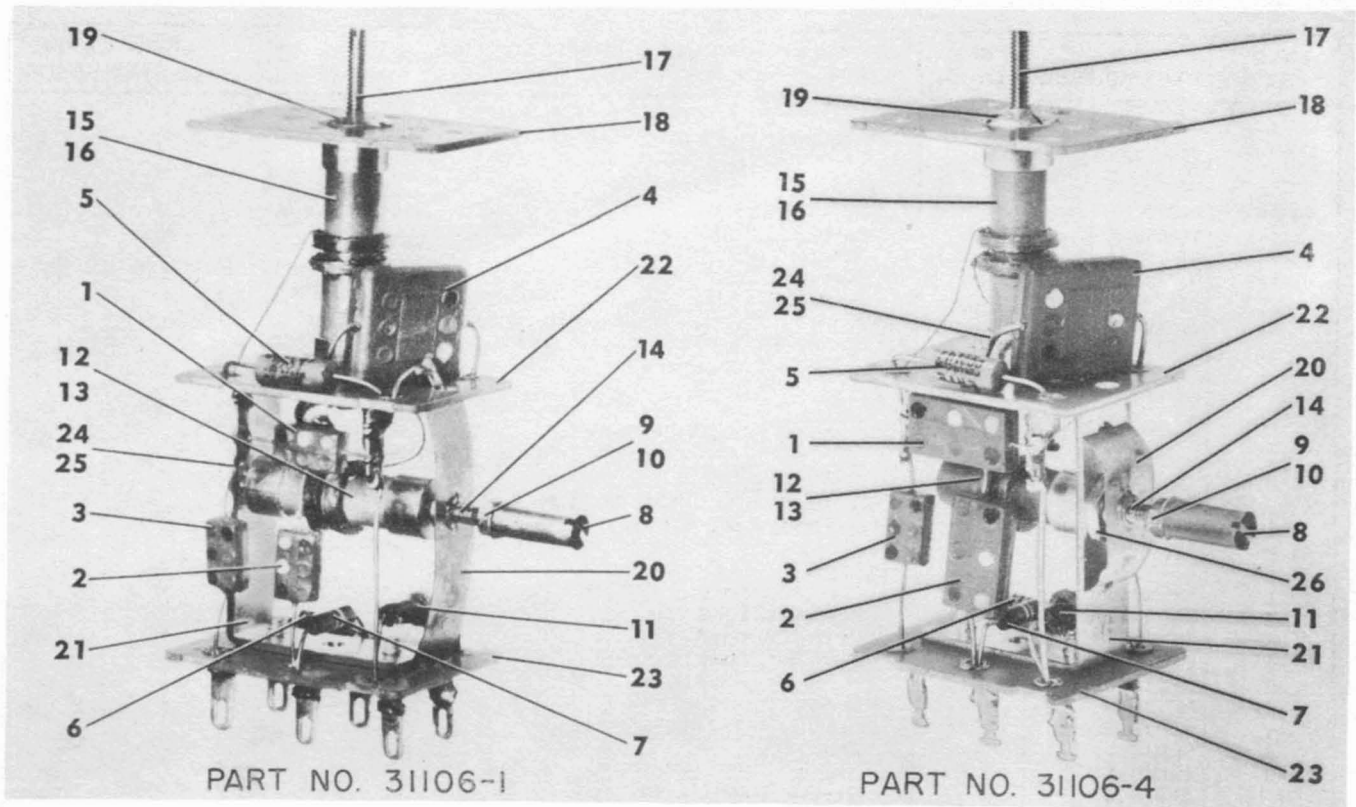


Figure 41. Beat-frequency Oscillator

FIG & INDEX NO.	PART NUMBER	REF SYMBOL	NAME AND DESCRIPTION							UNITS PER ASSY	APPLI- CATION
			1	2	3	4	5	6	7		
			RADIO RECEIVER SP-600-JX-17, RACK MOUNTINGS TRANSFORMER, IF (CRYSTAL FILTER)								
42	31114-2	T3	Transformer, IF (See Figure 32-9 for next higher assy)							Ref	
-1	31471-2	Y8	. Crystal Unit, quartz: one crystal plate incl; 455 kc nominal freq; marked with freq and type (BLY type VX4)							1	
-2	Com1	-	. Tubing: covers pigtail lead on crystal; plastic vinylite, black; hyflex, wire size No. 17 (IVI)							AR	
-3	Com1	-	. Tubing: covers crystal; plastic vinylite, white; hyflex wire size 1/2 in. (IVI)							AR	
-4	RC20BF222K	R41	. Resistor, fixed (JAN-R-11)							1	
-5	23003-104C	C114	. Capacitor, fixed							1	
-6	23003-102C	C107	. Capacitor, fixed							1	
-7	23003-94C	C110	. Capacitor, fixed							1	
-8	23003-94C	C112	. Capacitor, fixed							1	
-9	23003-94C	C113	. Capacitor, fixed							1	
-10	11776-1	C111	. Capacitor, variable; air dielectric; plate meshing type							1	
-11	2104-4	-	. Terminal, lug: cad. pl (SH)							1	
-12	Com1	-	. Screw, mach: slot drive; binding hd; steel, cad. pl; No. 4-40, 1/4 in. lg; incl ext tooth steel cad. pl washer 0.254 in. dia x 0.019 in. thick (IFCO) (Att. Pt.)							2	

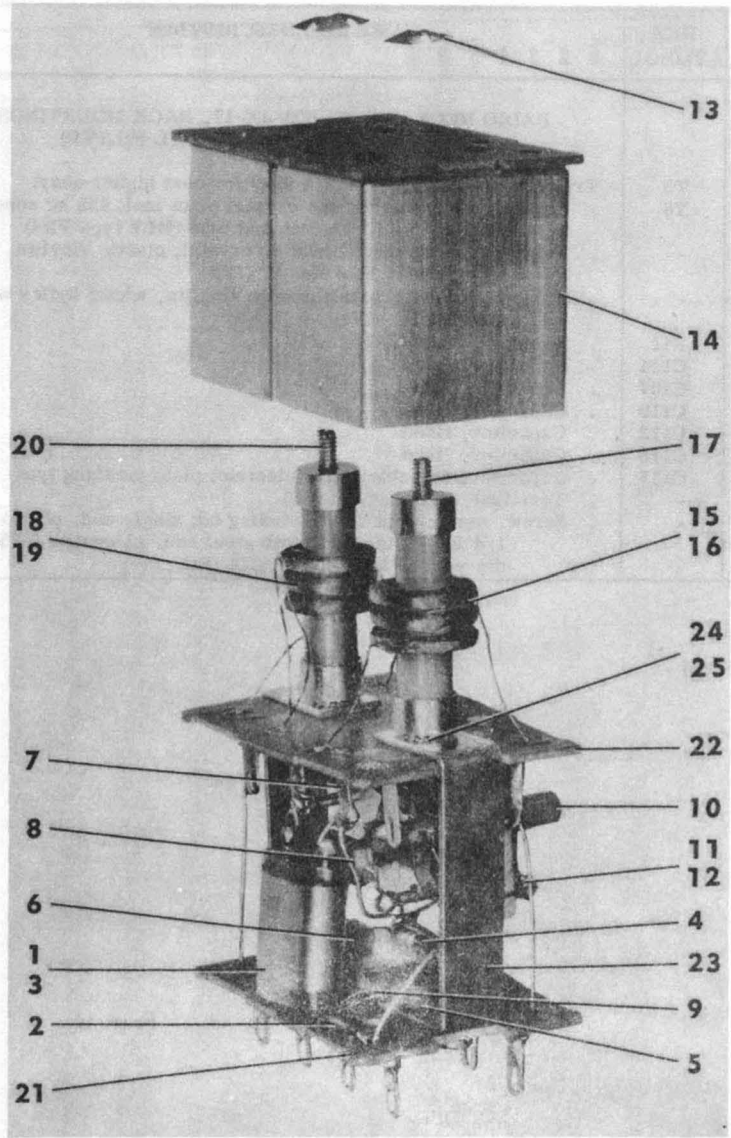


Figure 42. Transformer, IF (Crystal Filter)

FIG & INDEX NO.	PART NUMBER	REF SYMBOL	NAME AND DESCRIPTION							UNITS PER ASSY	APPLI- CATION
			1	2	3	4	5	6	7		
			RADIO RECEIVER SP-600-JX 17, RACK MOUNTINGS TRANSFORMER, IF (CRYSTAL) (cont)								
42-13	11-593-A	-	2	
-14	31021-1	-	1	
-15	31068-1	-	1	
-16	31057-1	L37	1	
-17	31018-1	-	1	
-18	31242-1	-	1	
-19	31093-1	L36	1	
-20	31018-1	-	1	
-21	31092-1	-	1	
-22	31094-1	-	1	
-23	31017-1	-	2	

FIG & INDEX NO.	PART NUMBER	REF SYMBOL	NAME AND DESCRIPTION							UNITS PER ASSY	APPLI-CATION
			1	2	3	4	5	6	7		
42-24 -25	AN936B6 Coml	-	RADIO RECEIVER SP-600-JX-17, RACK MOUNTINGS TRANSFORMER, IF (CRYSTAL) (cont)							2	
			. Washer, lock (Att. Pt.)								
			. Screw, mach: slot drive; binding hd; steel, cad. pl; No. 6-32, 5/16 in. lg; incl ext tooth steel cad. pl washer, 0.270 in. dia x 0.021 in. thick (IFCO) (Att. Pt.)							2	
43	33929-2	-	RADIO RECEIVER SP-600-JX-17, RACK MOUNTINGS RESISTOR-CAPACITOR SUBASSEMBLY								
			Resistor-Capacitor Subassembly (See Figure 32-199 for next higher assy)							Ref	
-1	RC20BF105K	R48	. Resistor, fixed							1	
-2	RC20BF335K	R53	. Resistor, fixed							1	
-3	RC20BF112J	R94	. Resistor, fixed							1	
-4	CP27R2EF254	C163	. Capacitor, fixed (JAN-C-25)							1	
-5	†Coml	C100	. Capacitor, fixed: 10,000 mmf (RAMT type B)							1	
-5	Coml	C100	. Capacitor, fixed: 22,000 mmf (AEV type P488 or P487)							1	
-6	Coml	-	. Tubing: covers capacitor lead; two pieces; extruded plastic vinylite, black; hyflex, wire size No. 17 (IVI)							AR	
-7	33926-1	-	. Bracket: cad. pl							2	
-8	2116-06	-	. Terminal, lug (SH)							2	
-9	AN936B6	-	. Washer, lock							4	
-10	Coml	-	. Screw, mach: slot drive; binding hd; steel, cad. pl; No. 6-32, 7/16 in. lg; incl ext tooth steel cad. pl washer 0.270 in. dia x 0.021 in. thick (IFCO) (Att. Pt.)							3	
-11	Coml	-	. Screw, mach: slot drive; binding hd; steel, cad. pl; No. 6-32, 3/8 in. lg; incl ext tooth steel cad. pl washer 0.270 in. dia x 0.021 in. thick (IFCO) (Att. Pt.)							1	
-12	10012-41	-	. Nut, hex: (Att. Pt.)							4	
-13	33928-2	E13	. Board, terminal: 10 terminals							1	

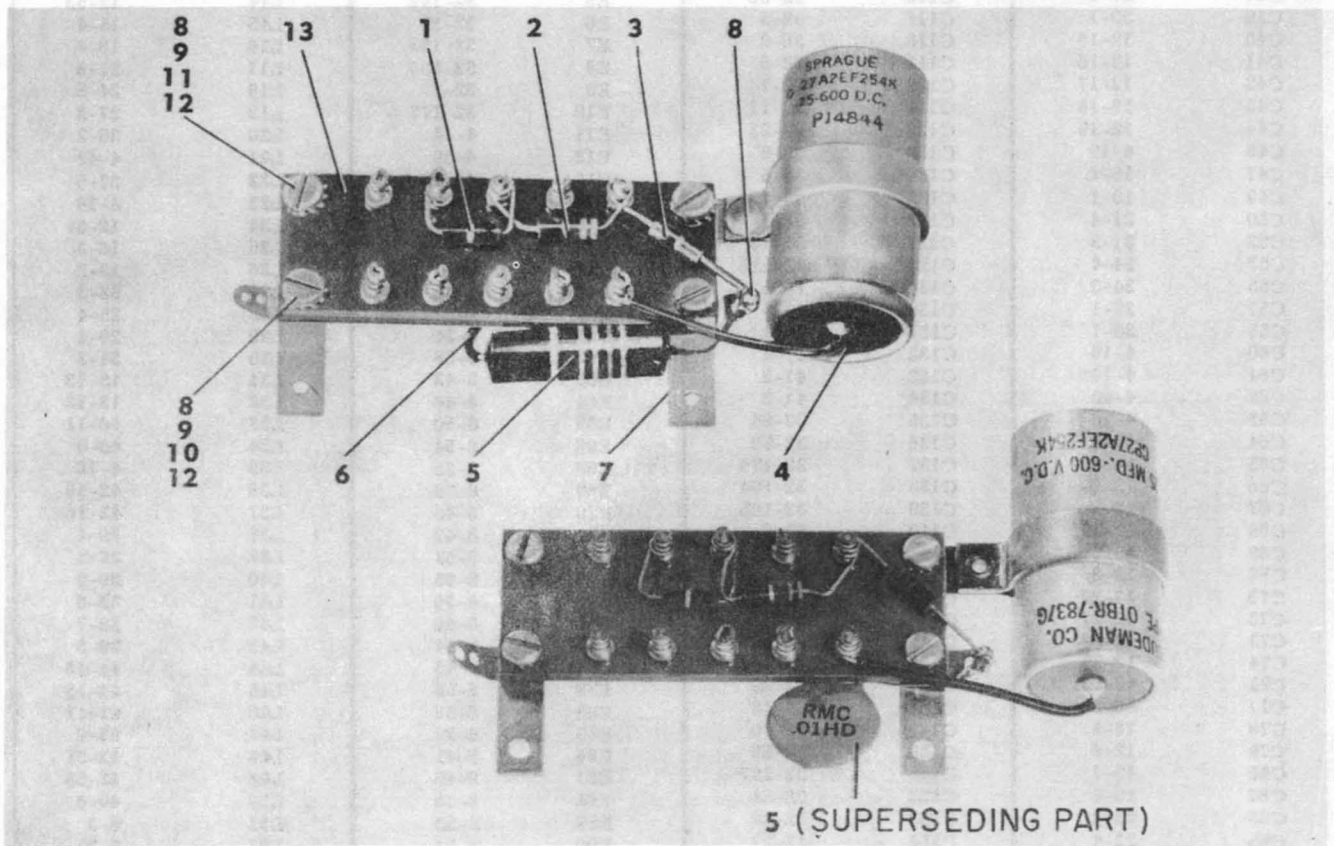


Figure 43. Resistor-Capacitor Subassembly

SECTION III
REFERENCE SYMBOL LIST

Radio Receiver, Model SP-600-JX-17, Rack Mountings

Reference Symbol	Figure & Index No.	Reference Symbol	Figure & Index No.	Reference Symbol	Figure & Index No.	Reference Symbol	Figure & Index No.
C1	8-27	C89	25-1	C157	40-2	E103	3-34
C3	14-1	C91	28-2	C158	32-118	E104	3-35
C5	17-1	C92	28-3	C159	32-119	F1	3-41
C6	20-2	C93	28-1	C160	32-120	F2	3-43
C8	20-1	C95	31-1	C161	5-9	J1	12-57
C9	23-2	C96	31-2	C162	32-96	J2	32-138
C11	23-1	C97	40-4	C163	43-4	J3	32-110
C12	26-1	C98	40-1	C164	35-10	J4	32-141
C14	26-2	C99	40-3	C165	32-87	J5	32-144
C15	29-1	C100	43-5	C166	32-95	J6	32-130
C17	29-2	C101	4-30	C167	37-8	J7	32-134
C18	12-30	C102	8-32	C168	37-9	J8	4-87
C19	12-9	C103	37-4	C169	37-14	L1	14-2
C20	12-10	C104	37-5	C170	37-11	L2	17-2
C21	12-11	C105	32-91	C171	37-10	L3	20-3
C22	12-12	C106	32-97	C172	37-13	L4	23-3
C23	12-13	C107	42-6	C173	37-12	L5	26-3
C24	12-14	C108	32-100	C174	32-85	L6	29-3
C25	12-31	C109	32-98	C175	12-29	L7	12-52
C27	15-1	C110	42-7	C176	36-15	L8	15-4
C29	18-1	C111	42-10	C177	32-86	L9	18-4
C30	21-4	C112	42-8	E1	12-63	L10	21-5
C32	21-3	C113	42-9	E2	32-192	L11	24-5
C33	24-4	C114	42-5	E3	32-194	L12	27-2
C35	24-3	C115	36-16	E4	32-123	L13	30-2
C37	27-1	C116	32-92	E5	32-142	L14	12-53
C39	30-1	C117	38-5	E6	32-12	L15	15-4
C40	12-15	C118	38-8	E7	32-193	L16	18-4
C41	12-16	C119	38-6	E8	32-136	L17	21-5
C42	12-17	C120	38-7	E9	32-4	L18	24-5
C43	12-18	C121	36-17	E10	32-177	L19	27-2
C44	12-19	C122	32-93	E11	4-14	L20	30-2
C45	4-15	C123	38-8	E12	4-39	L21	4-42
C47	15-1	C124	38-5	E13	43-13	L22	37-6
C49	18-1	C125	38-6	E14	32-203	L23	4-18
C50	21-4	C126	38-7	E15	34-1	L24	12-54
C52	21-3	C127	36-18	E16	35-1	L25	16-3
C53	24-4	C128	32-116	E17	36-1	L26	19-2
C55	24-3	C129	7-25	E18	6-15	L27	22-3
C57	27-1	C130	41-5	E19	4-57	L28	25-4
C59	30-1	C131	41-1	E61	8-34	L29	28-4
C60	4-16	C132	41-4	E62	8-38	L30	31-3
C61	4-17	C133	41-2	E63	8-42	L31	13-13
C62	4-40	C134	41-3	E64	8-46	L32	13-12
C63	4-46	C135	32-94	E65	8-50	L33	40-11
C64	4-41	C136	32-99	E66	8-54	L34	40-8
C65	4-53	C137	32-175	E68	8-35	L35	4-19
C66	12-20	C138	32-104	E69	8-39	L36	42-19
C67	13-5	C139	32-105	E70	8-43	L37	42-16
C68	12-21	C140	35-8	E71	8-47	L38	39-4
C69	13-6	C141	34-11	E72	8-51	L39	39-5
C70	13-3	C142	34-12	E73	8-55	L40	39-3
C71	12-22	C143	34-10	E75	8-36	L41	39-6
C72	12-23	C144	32-114	E76	8-40	L42	39-7
C73	12-24	C145	32-103	E77	8-44	L43	39-3
C74	12-25	C146	32-101	E78	8-48	L44	41-16
C75	12-32	C147	32-89	E79	8-52	L45	41-13
C77	16-2	C148	34-13	E80	8-56	L46	41-11
C78	16-1	C149	32-90	E85	8-37	L47	35-9
C79	12-6	C150	32-88	E86	8-41	L48	12-51
C80	12-7	C151	32-117	E87	8-45	L49	12-55
C82	19-1	C152	32-84	E88	8-49	L50	40-6
C83	22-2	C153	12-26	E89	8-53	L51	5-3
C85	22-1	C154	12-27	E90	8-57	L52	5-2
C87	25-2	C155	12-28	E101	3-32	L53	32-139
C88	25-3	C156	32-102	E102	3-33	L54	32-135

Reference Symbol	Figure & Index No.	Reference Symbol	Figure & Index No.	Reference Symbol	Figure & Index No.	Reference Symbol	Figure & Index No.
P1	3-5	R44	36-5	R94	43-3	V1	3-15
P2	3-6	R45	33-7	R95	36-14	V2	3-16
P4	3-1	R46	33-6	R96	36-12	V3	4-3
P5	3-3	R47	33-5	R97	32-46	V4	3-24
P6	3-7	R48	43-1	R98	32-65	V5	3-22
P7	3-8	R49	38-4	R99	32-77	V6	3-23
P8	4-3	R50	32-72	R100	35-7	V7	3-17
R1	12-48	R51	36-11	R101	32-186	V8	3-25
R2	12-39	R52	36-6	R102	4-21	V9	3-18
R3	12-46	R53	43-2	R103	15-3	V10	3-19
R4	12-33	R54	38-4	R104	15-3	V11	3-20
R5	12-42	R55	32-73	R105	18-2	V12	3-21
R6	12-34	R56	36-10	R106	18-2	V13	3-26
R7	15-2	R57	36-7	R107	21-2	V14	3-28
R8	18-3	R58	35-2	R108	21-2	V15	3-29
R9	21-1	R59	35-6	R109	24-1	V16	3-31
R10	24-2	R60	35-4	R110	24-1	V17	3-14
R11	12-4	R61	32-81	R111	35-5	V18	3-27
R12	12-40	R62	34-2	R112	32-83	V19	3-13
R13	12-49	R63	34-8	R113	32-82	V20	3-30
R14	12-47	R64	34-6	R114	32-79	X1	12-59
R15	12-43	R65	34-7	R115	36-8	X2	12-60
R16	12-35	R66	32-70	R116	32-67	X3	4-83
R17	15-2	R67	34-3	R117	32-78	X4	12-61
R18	18-3	R68	34-4	R118	37-15	X5	12-58
R19	21-1	R69	32-184	R119	32-80	X6	32-171
R20	24-2	R70	32-56	R120	4-44	X7	32-153
R21	12-5	R71	4-6	R121	12-38	X8	32-172
R22	12-41	R72	7-27	R122	36-4	X9	32-154
R23	4-50	R73	7-28	S2	4-51	X10	32-155
R24	4-43	R74	32-185	S3	3-77	X11	32-156
R25	4-20	R75	32-68	S4	10-11	X12	32-157
R26	12-50	R76	41-7	S5	33-1	X13	32-158
R27	12-44	R77	41-6	S6	32-48	X14	32-159
R28	12-45	R78	32-64	S7	32-47	X15	32-160
R29	12-36	R79	32-69	S8	32-45	X16	32-149
R30	12-37	R80	35-3	S9	32-49	X17	32-166
R31	13-2	R81	34-5	S10	32-52	X18	32-161
R32	36-2	R82	34-9	S11	32-50	X19	32-167
R33	32-75	R83	32-66	S12	32-181	X20	32-162
R34	4-45	R84	32-51	S13	32-182	X21	4-60
R35	40-5	R85	36-13	T1	8-21	X22	4-61
R36	32-76	R86	32-62	T2	32-8	X23	4-62
R37	32-74	R87	32-60	T3	32-9	X24	4-63
R38	37-2	R88	32-61	T4	32-10	X25	4-64
R39	36-3	R89	32-63	T5	32-11	X26	4-65
R40	37-3	R90	32-57	T6	32-13	Y7	37-7
R41	42-4	R91	32-58	T7	32-115	Y8	42-1
R42	32-71	R92	32-59	T8	32-31		
R43	36-9	R93	32-52	T35	4-22		

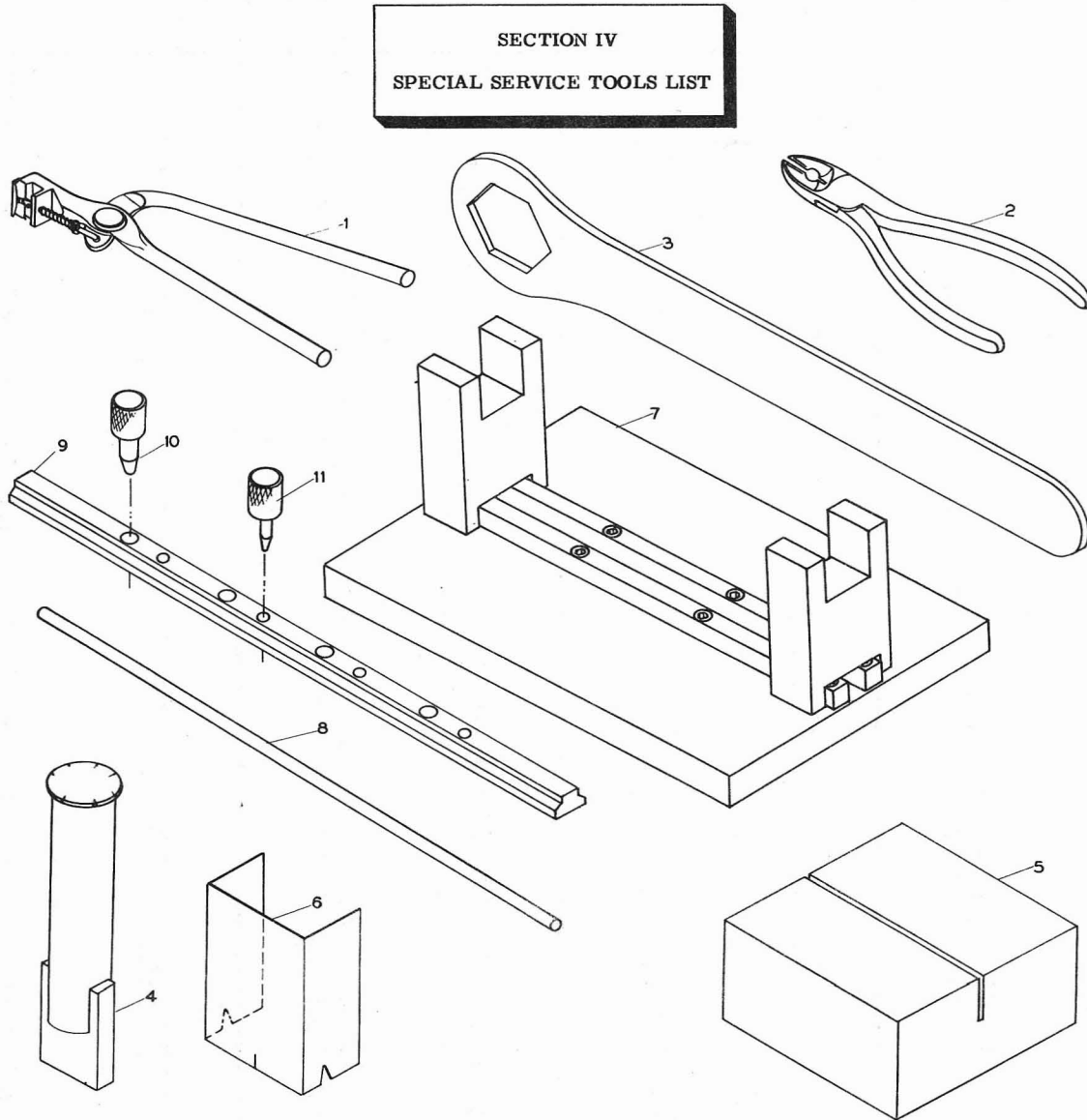


Figure 44. Special Service Tools

FIG & INDEX NO.	TOOL NO.	TOOL NAME	APPLICATION
44-1	T8222	Special pliers	R-f tuner springs
-2	T8334	Pliers	"C" washers, crimping
-3	T8333	Wrench, spanner	Turret rotor assy nuts
-4	T8331-1	Swage	Contact springs, tuning unit shield
-5	T8331-2	Mounting, seat	Contact springs, tuning unit shield
-6	T8335	Jig	Band dial location
-7	T7644	Jig, fixture	Turret rotor assy
-8	T8332	Rod, line-up	Turret rotor and tuning unit shield
-9	T7982-7	Pin, locating	R-f strip assy
-10	T7982-6	Bar, line-up	R-f strip assy
-11	T7982-5	Pin, locating	R-f strip assy

SECTION V
NUMERICAL PARTS INDEX

PART NUMBER	STOCK NO.		FIG. & INDEX	TOTAL PER EQUIP.
	CODE	SERIAL		
Capacitor	3330	317680996	4-16	40
			4-17	
			4-30	
			12-9	
			12-10	
			12-11	
			12-12	
			12-13	
			12-14	
			12-15	
			12-16	
			12-17	
			12-18	
			12-19	
			12-20	
			12-21	
			12-22	
			12-23	
			12-24	
			12-25	
			12-26	
			12-27	
			12-28	
			12-29	
			13-3	
			14-1	
			15-1	
			17-1	
			18-1	
			32-91	
			32-92	
			32-93	
			32-94	
32-95				
36-15				
36-16				
36-17				
36-18				
Capacitor	3330	315994090	8-32	16
			32-96	
			32-97	
			32-98	
			32-99	
			32-100	
			32-101	
			32-102	
			34-13	
			37-4	
			37-5	
			38-8	
			40-1	
			40-2	
			43-5	
			Clamp	
4-69				
Nut	3330	287178676	4-91	41
			6-7	
Nut	3330	287178676	32-148	8
			32-152	
			32-174	
Nut	3330	287178676	3-51	8
			4-77	

PART NUMBER	STOCK NO.		FIG. & INDEX	TOTAL PER EQUIP.
	CODE	SERIAL		
Nut	3350	536000-3185	5-7	6
			7-38	
Resistor	3350	516000-7545	32-24	1
			32-34	
Resistor	3350	516000-7545	7-25	1
			7-26	
Screw	3350	516000-7545	3-65	4
			3-69	
Screw	3350	516000-7545	11-3	2
			11-12	
Screw	3350	516000-7545	6-4	6
			6-9	
Screw	3350	516000-7545	4-66	6
			4-54	
Screw	3350	516000-7545	7-15	6
			7-6	
Screw	3350	516000-7545	7-9	2
			7-11	
Screw	3350	516000-7545	4-28	4
			4-49	
Screw	3350	516000-7545	32-169	4
			4-23	
Screw	3350	516000-7545	4-76	8
			9-40	
Screw	3350	516000-7545	3-87	2
			4-9	
Screw	3350	516000-7545	4-55	24
			9-14	
Screw	3350	516000-7545	11-10	25
			32-173	
Screw	3350	516000-7545	4-86	14
			4-90	
Screw	3350	516000-7545	32-165	14
			4-73	
Screw	3350	516000-7545	9-17	120
			9-32	
Screw	3350	516000-7545	32-197	51
			32-201	
Screw	3350	516000-7545	43-11	51
			4-92	
Screw	3350	516000-7545	8-9	51
			8-11	
Screw	3350	516000-7545	8-16	51
			8-24	
Screw	3350	516000-7545	8-26	51
			9-47	
Screw	3350	516000-7545	10-3	51
			10-9	
Screw	3350	516000-7545	13-15	51
			32-7	
Screw	3350	516000-7545	32-17	51
			32-37	
Screw	3350	516000-7545	32-42	51
			32-179	
Screw	3350	516000-7545	32-191	51
			4-29	
Screw	3350	516000-7545	4-35	51
			5-10	
Screw	3350	516000-7545	7-3	51
			7-17	
Screw	3350	516000-7545	7-33	51
			13-11	

PART NUMBER	STOCK NO.		FIG. & INDEX	TOTAL PER EQUIP.
	CODE	SERIAL		
			32-38	
			32-127	
			32-206	
			39-8	
			40-18	
			41-25	
			42-25	
Screw			5-5	8
Screw			32-146	20
Screw			9-12	2
Screw			2-3	10
			8-31	
			32-30	
Screw			32-44	6
Screw			3-83	16
			8-29	
			9-8	
			9-11	
			32-33	
Screw			7-22	25
			7-37	
			7-42	
			10-6	
Screw			3-81	5
			32-21	
Screw			8-22	4
Screw			9-34	5
			43-10	
Screw			4-74	9
			4-89	
Screw			12-62	12
Screw			42-12	2
Tubing			4-5	AR
			4-32	
Tubing			12-8	AR
Tubing			8-18	AR
			32-36	
			32-133	
Tubing			4-7	AR
			4-37	
			12-56	
			13-1	
			32-109	
			37-16	
			42-2	
			43-6	
			42-3	AR
Tubing			12-67	AR
Tubing			9-39	6
Washer			3-43	2
AGC 3/8	8870	112000-738	3-44	
			3-2	1
AN3057-6	8850	101072	3-4	1
AN3057-10	8850	101057	32-141	1
AN3102A-14S-2S	8850	532925-52	32-144	1
AN3102A-18-3P	8850	506620-52	3-3	1
AN3108B-14S-2P	8850	279095-54	3-3	1
AN3108B-18-3S	8850	226980-54	3-67	2
AN935-4	6700	989000	3-74	1
AN935-6	6700	989500	3-88	15
AN936A10	6700	991700	7-5	8
AN936A2	6700	991600	4-68	16
AN936A4	6700	991640	41-10	1
AN936A6	6700	991660	3-12	13
AN936A616	6700	991905	4-80	2
AN936A8	6700	991680	32-147	42
AN936B4	6700	991450	4-24	61
AN936B6	6700	991480	8-13	2
AN936B6B	6700	991380-133		

PART NUMBER	STOCK NO.		FIG. & INDEX	TOTAL PER EQUIP.
	CODE	SERIAL		
AN936B8	6700	991505	3-52	6
CC20CJ070F	3330	055350285	26-1	1
CC20HJ150J	3330	055350284	29-1	3
CC21UJ050C	3330	055350279	12-6	4
CC21UJ120J	3330	313044140	25-3	2
CC21UJ270J	3330	055350082	41-5	1
CC21UJ510F	3330	313584255	28-3	3
CC26SL101K	3330	313889919	34-11	2
CC-80W-PP	3320	081552170	4-57	1
CE33F200R	3330	317508787	5-9	1
CE63D100H	3330	055600119	32-116	5
CM20C101G	3330	376003000	37-13	1
CM20C431G	3330	376032200	35-8	2
CM30C102G	3330	376120600	4-40	5
CM30C122G	3330	376122621	22-1	1
CM30C132G	3330	376122821	38-7	2
CM30C152G	3330	376124800	23-1	4
CM30C242J	3330	376130600	20-1	5
CM30C332G	3330	376134800	16-2	1
CM35A103J	3330	376143950	32-84	3
CM35A512J	3330	376152200	32-89	3
CP27A2EF254K	3330	056750539	43-4	1
CP28AIEC254M	3330	318001138	32-175	1
CP28AIEC503M	3330	056750463	32-114	1
CP53B6EF503V	3330	317704054	7-25	1
D-54108	0845	D54108	6-13	1
JAN OA2	3370	331000-1615	3-27	1
JAN 12AU7	3370	286000-6185	3-31	1
JAN 5R4GY	3370	304000-5125	3-13	1
JAN 6AH6	3370	286000-6185	4-2	1
JAN 6AL5	3370	259000-6125	3-28	3
JAN 6BA6	3370	286000-6295	3-15	7
JAN 6BE6	3370	28300-6255	3-22	2
JAN 6C4	3370	316000-6145	3-24	3
JAN 6V6GT	3370	316000-1375	3-14	1
JK-34A	8850	749430	32-110	1
PL-259	8850	460402	3-5	5
M-359	8850	107500	3-9	4
MDL 1-6/10	8870	212000-588	3-41	2
			3-42	
			7-28	4
P11003			32-71	3
RC20BF100K	3350	101000-1281	32-185	1
RC20BF101J	3350	101000-2181	12-33	7
RC20BF102K	3350	101000-3271	12-39	12
RC20BF103J	3350	101000-4411	32-68	13
RC20BF104K	3350	101000-5491	32-81	3
RC20BF105K	3350	101000-6491	33-6	2
RC20BF112J	3350	101000-3311	32-60	2
RC20BF124J	3350	101000-5541	12-44	1
RC20BF151J	3350	101000-2321	32-75	1
RC20BF152K	3350	101000-3391	4-20	3
RC20BF181K	3350	101000-2431	32-70	2
RC20BF183K	3350	101000-4621	37-3	1
RC20BF203J	3350	101000-4641	12-4	4
RC20BF220K	3350	101000-1431	13-2	8
RC20BF222K	3350	101000-3561	32-76	2
RC20BF223J	3350	101000-4681	4-50	1
RC20BF223K	3350	101000-4811	21-1	2
RC20BF240J	3350	101000-1441	33-7	1
RC20BF241J	3350	101000-2561	15-3	9
RC20BF273K	3350	101000-4811	12-46	3
RC20BF333J	3350	101000-4881	32-82	1
RC20BF334J	3350	101000-5541	32-46	2
RC20BF335K	3350	101000-6911	32-83	1
RC20BF391J	3350	101000-2721	37-2	1
RC20BF433J	3350	101000-4991	32-79	1
RC20BF471J	3350	101000-2791	35-5	1
RC20BF473J	3350	101000-5121		

PART NUMBER	STOCK NO.		FIG. & INDEX	TOTAL PER EQUIP.
	CODE	SERIAL		
RC20BF473K	3350	101000-5141	12-41	4
RC20BF474K	3350	101000-6241	32-64	2
RC20BF510J	3350	101000-1711	15-2	5
RC20BF511J	3350	101000-2881	12-42	3
RC20BF681K	3350	101000-3141	4-6	2
RC20BF682K	3350	101000-4271	12-45	1
RC20BF821J	3350	101000-3191	4-21	1
RC20BF823J	3350	101000-5431	32-62	3
RC30BF104K	3350	131000-6851	4-45	1
RC30BF203J	3350	131000-5531	37-3	1
RC30BF222K	3350	131000-3931	35-6	1
RC30BF361J	3350	131000-2991	32-77	1
RG-58/U	8860	324000	32-132	AR
RW32G252	3350	521000-5781	36-13	1
SO-239	8850	667760	4-87	5
TS101P01	8850	889946	32-166	2
TS102C01	8850	882870	12-58	1
TS102P01	8850	882880	4-83	14
TS102U01	3370	774000-1935	3-37	1
TS102U02	3370	774000-1955	3-38	11
TS102U03	3370	774000-1975	3-39	1
TS103P01	8850	896590	32-149	1
TS103U02	3370	774000-2185	3-36	2
T7644			44-7	1
T7982-5			44-11	4
T7982-6			44-10	4
T7982-7			44-9	1
T8222	7910	562810	44-1	1
T8331-1			44-4	1
T8331-2			44-5	1
T8332			44-8	1
T8333			44-3	1
T8334			44-2	1
T8335			44-6	1
T-2-5	8880	387256024	32-4	5
			32-12	
			32-136	
			32-177	
			32-193	
T-8-6	8880	399650136	32-203	1
UG-177/U	8850	697500	32-131	1
WA510	6700	480930-95	4-82	5
			9-30	
10002-16			4-67	6
10002-4			6-6	8
10002-62			7-29	4
10003-6			9-18	1
10006-26			32-108	4
10007-58			4-79	4
10010-19			7-40	2
10010-35			32-27	1
10012-39			33-4	2
10012-41			4-25	47
			4-36	
			7-32	
			10-10	
			32-39	
			32-129	
			32-170	
			32-180	
			32-198	
			32-202	
			32-207	
			41-9	
			43-12	
10012-67			9-19	1
10012-90			3-75	12
			4-52	

PART NUMBER	STOCK NO.		FIG. & INDEX	TOTAL PER EQUIP.
	CODE	SERIAL		
			6-18	
			6-23	
			6-26	
			10-13	
			32-55	
			32-188	
10013-57			6-11	4
10020-122			7-24	2
10023-48			3-86	8
10026-14			33-3	2
10027-13			9-20	2
10041-1			2-5	4
10049-2			8-14	2
10052-9			4-12	2
10059-29			4-47	2
103	8880	065000-4555	8-7	1
11726-109	3330	058100033	4-53	1
11776-1	3330	058100035	42-10	1
11806-2	7910	859480	8-1	1
11806-3	7910	859490	8-2	1
11806-4	7910	859500	8-3	1
11890-1			9-42	1
11-593-A			13-7	9
			38-3	
			40-14	
			41-19	
			42-13	
1220-2	6700	991395-45	6-17	1
1369			(See Part No. 31488-1)	
139	6700	191173-4	8-20	2
1520	8880	387256055	32-142	1
15342-11	3350	793000-4726	32-51	1
15342-21	3350	793000-3174	32-52	1
15342-4	3350	793000-2948	32-186	1
15366-1	3350	842500-3615	32-184	1
15611-1	3340	310020851	12-51	1
15612-1	3340	3079540186	12-52	3
			12-53	
			12-54	
15613-1	3340	060710670	12-55	2
			40-6	
15615-2	3340	060081510	41-11	1
15616-1	3340	307540185	35-9	1
15617-1	3340	060710690	4-42	1
15621-1	3340	060710700	37-6	1
15622-1	3340	060710710	4-19	1
15623-1	3340	060710720	4-18	1
15627-1			12-54A	1
15856-1	3360	395481634	33-1	1
15862-2	3360	073115504	10-11	1
15879-2	3360	073114216	4-51	1
15923-1	8870	565000-555	32-183	2
15989-5	8850	882453	12-61	1
16140-2	3370	738500-4117	32-19	1
16141-2	3370	738500-3437	32-18	1
16174-1			4-84	11
			32-163	
16619-5	3320	332308502	12-63	1
16642-1	8850	010554	3-10	5
			4-4	
19317-76	3350	085000-1911	12-48	3
			12-49	
			12-50	
2			(See Part No. 16141-2)	
2029	6600	324381	32-112	2
2102-4	8880	749000-5225	4-88	1
2104-4	8880	777000-3555	42-11	1
2104-6	8800	875479-3555	4-26	26

PART NUMBER	STOCK NO.		FIG. & INDEX	TOTAL PER EQUIP.
	CODE	SERIAL		
			7-27	
			8-17	
			13-4	
			32-15	
			32-121	
			32-140	
			32-137	
			32-143	
			32-145	
			32-150	
			32-176	
			32-190	
			32-195	
			32-205	
2109-10-01	8880	755000-4625	32-32	1
2116-06	8880	747000-6855	32-151	3
			43-8	
23003-2B	3330	056200713	22-2	1
23003-41C	3330	056200414	20-2	3
			21-4	
23003-45C	3330	056200018	23-2	3
			24-4	
23003-47C	3330	056200717	4-46	1
23003-87C	3330	056200718	30-1	5
			31-1	
			40-3	
			41-3	
23003-94C	3330	056200714	12-30	9
			12-31	
			12-32	
			27-1	
			28-2	
			42-7	
			42-8	
			42-9	
23003-102C	3330		13-6	4
			38-5	
			42-6	
23003-104C	3330	056200899	42-5	1
23003-105C	3330	056200716	38-6	2
23003-109C	3330	376032200	41-1	2
			41-2	
23070-40	3330	314996321	32-88	1
23071-50	3330	056200036	25-2	1
23071-58	3330	056200037	40-4	1
23071-59	3330	056200038	13-5	1
23071-63	3330	056200712	28-1	1
23071-64	3330	056200039	25-1	1
23071-67	3330	056200722	16-1	1
23071-72	3330	056200719	4-15	1
23071-73	3330	056200720	37-12	1
23072-52	3330		31-2	1
23072-53	3330	314679000	19-1	1
2423	8880	387256023	32-123	1
			32-170	
2666	6600	324387	4-31	1
31002-1			11-7	7
31003-1	1760	049200500	8-58	48
31004-1	1760	049200515	14-3	36
			15-5	
			16-4	
			17-3	
			18-5	
			19-3	
			20-4	
			21-6	
			22-4	
			23-4	

PART NUMBER	STOCK NO.		FIG. & INDEX	TOTAL PER EQUIP.
	CODE	SERIAL		
			24-6	
			25-5	
			26-4	
			27-3	
			28-5	
			29-4	
			30-3	
			31-4	
31017-1			40-15	4
			42-23	
31017-2			39-2	2
31018-1	3340	061750080	41-14	4
			41-17	
			42-17	
			42-20	
31019-1	3340	062700050	32-3	3
31021-1			38-1	2
			42-14	
31022-1			40-13	1
31023-1	1760	049200520	32-111	5
31026-1	3340	296839210	39-3	2
31027-1	3340	297590405	41-18	1
31028-1	3340	296839212	41-21	1
31029-2	3340	296943126	32-31	1
31030-2	3340	308028100	5-3	1
31031-2	3340	062454580	5-2	1
31036-1	1760	047414080	9-37	1
31037-1	1760	047414085	9-38	1
31047-1			9-10	1
31050-1	6800	028035	9-9	1
31052-1	1760	047271000	9-24	1
31057-1	3340	060706450	42-16	1
31059-1			9-7	3
31063-1			9-36	1
31065-1			11-4	3
31065-2			11-5	3
31066-1			11-6	1
31067-1	3340	060709970	39-4	4
			39-5	
			39-6	
			39-7	
31068-1			42-15	1
31069-1	3340	063100380	13-12	1
31070-1			41-12	1
31071-1			41-15	1
31072-1	3340	060706460	41-13	1
31073-1	3340	060706470	41-16	1
31076-1			41-20	1
31077-1			11-1	1
31078-1			11-2	1
31078-2			11-11	1
31080-1			10-1	1
31083-1			7-14	2
31085-1			9-33	1
31086-2	3340	062753100	32-115	1
31089-1			12-3	24
31090-1	3340	061750090	40-9	2
			40-12	
31091-1			41-22	1
31091-2			41-23	1
31092-1			39-1	5
			40-16	
			42-21	
31093-1	3340	064150410	42-19	1
31094-1			42-22	1
31095-1	1760	047414200	9-27	1
31096-1	1760	047414000	9-28	1
31097-1	1760	047414100	9-29	1

PART NUMBER	STOCK NO.		FIG. & INDEX	TOTAL PER EQUIP.
	CODE	SERIAL		
			7-27	
			8-17	
			13-4	
			32-15	
			32-121	
			32-140	
			32-137	
			32-143	
			32-145	
			32-150	
			32-176	
			32-190	
			32-195	
			32-205	
2109-10-01	8880	755000-4625	32-32	1
2116-06	8880	747000-6855	32-151	3
			43-8	
23003-2B	3330	056200713	22-2	1
23003-41C	3330	056200414	20-2	3
			21-4	
23003-45C	3330	056200018	23-2	3
			24-4	
23003-47C	3330	056200717	4-46	1
23003-87C	3330	056200718	30-1	5
			31-1	
			40-3	
			41-3	
23003-94C	3330	056200714	12-30	9
			12-31	
			12-32	
			27-1	
			28-2	
			42-7	
			42-8	
			42-9	
23003-102C	3330		13-6	4
			38-5	
			42-6	
23003-104C	3330	056200899	42-5	1
23003-105C	3330	056200716	38-6	2
23003-109C	3330	376032200	41-1	2
			41-2	
23070-40	3330	314996321	32-88	1
23071-50	3330	056200036	25-2	1
23071-58	3330	056200037	40-4	1
23071-59	3330	056200038	13-5	1
23071-63	3330	056200712	28-1	1
23071-64	3330	056200039	25-1	1
23071-67	3330	056200722	16-1	1
23071-72	3330	056200719	4-15	1
23071-73	3330	056200720	37-12	1
23072-52	3330		31-2	1
23072-53	3330	314679000	19-1	1
2423	8880	387256023	32-123	1
			32-170	
2666	6600	324387	4-31	1
31002-1			11-7	7
31003-1	1760	049200500	8-58	48
31004-1	1760	049200515	14-3	36
			15-5	
			16-4	
			17-3	
			18-5	
			19-3	
			20-4	
			21-6	
			22-4	
			23-4	

PART NUMBER	STOCK NO.		FIG. & INDEX	TOTAL PER EQUIP.
	CODE	SERIAL		
			24-6	
			25-5	
			26-4	
			27-3	
			28-5	
			29-4	
			30-3	
			31-4	
31017-1			40-15	4
			42-23	
31017-2			39-2	2
31018-1	3340	061750080	41-14	4
			41-17	
			42-17	
			42-20	
31019-1	3340	062700050	32-3	3
31021-1			38-1	2
			42-14	
			40-13	1
31022-1			32-111	5
31023-1	1760	049200520	39-3	2
31026-1	3340	296839210	41-18	1
31027-1	3340	297590405	41-21	1
31028-1	3340	296839212	32-31	1
31029-2	3340	296943126	5-3	1
31030-2	3340	308028100	5-2	1
31031-2	3340	062454580	9-37	1
31036-1	1760	047414080	9-38	1
31037-1	1760	047414085	9-10	1
31047-1			9-9	1
31050-1	6800	028035	9-24	1
31052-1	1760	047271000	42-16	1
31057-1	3340	060706450	9-7	3
31059-1			9-36	1
31063-1			11-4	3
31065-1			11-5	3
31065-2			11-6	1
31066-1			39-4	4
31067-1	3340	060709970	39-5	
			39-6	
			39-7	
			42-15	1
31068-1			13-12	1
31069-1	3340	063100380	41-12	1
31070-1			41-15	1
31071-1			41-13	1
31072-1	3340	060706460	41-16	1
31073-1	3340	060706470	41-20	1
31076-1			11-1	1
31077-1			11-2	1
31078-1			11-11	1
31078-2			10-1	1
31080-1			7-14	2
31083-1			9-33	1
31085-1			32-115	1
31086-2	3340	062753100	12-3	24
31089-1			40-9	2
31090-1	3340	061750090	40-12	
			41-22	1
31091-1			41-23	1
31091-2			39-1	5
31092-1			40-16	
			42-21	
31093-1	3340	064150410	42-19	1
31094-1			42-22	1
31095-1	1760	047414200	9-27	1
31096-1	1760	047414000	9-28	1
31097-1	1760	047414100	9-29	1

PART NUMBER	STOCK NO.		FIG. & INDEX	TOTAL PER EQUIP.
	CODE	SERIAL		
31098-1	1760	047270500	9-26	1
31101-1			38-2	2
31102-2	3340	063100820	32-10	2
			32-11	
31103-1	3340	063100390	13-13	1
31105-1	3340	062700060	32-6	1
31106-1	1760	048234010	32-13	1
31110-1			40-10	1
31111-1	3340	060706480	40-11	1
31114-2	3340	063100830	32-9	1
31115-1	3340	060706490	40-8	1
31116-2	3340	063100840	32-8	1
31117-1			10-2	3
31119-1			8-28	1
31124-2			37-1	1
31125-1	1760	049201600	9-3	1
31126-1	1760	049201700	9-2	1
31128-1			8-10	1
31129-1			8-30	1
31130-1	2100	2X82-3500	37-7	1
31131-2			32-14	1
31132-1	3340	062700070	32-5	1
31133-1	1760	049010020	32-2	1
31135-5			32-209	1
31136-1			12-66	1
31137-1			9-35	1
31139-1			7-19	1
31140-2			32-189	1
31141-1	8880	399650121	32-192	1
31142-1			7-20	5
			10-5	
			32-28	
31143-1			7-21	6
			7-41	
			10-4	1
31144-1			2-2	1
31145-1			7-18	1
31146-1			7-16	1
31146-2			9-21	1
31150-1	1760	047270800	32-122	1
31151-1			8-25	1
31155-1			36-1	1
31162-1	8880	387257003	34-1	2
31163-1	8880	387256594	35-1	
			9-23	1
31164-1			9-43	1
31166-1			9-22	1
31168-1	1760	046914900	9-25	1
31173-1	1760	045730200	33-2	1
31176-1			9-6	1
31177-1	1760	048870000	13-8	2
31179-1			13-9	1
31181-1			13-10	1
31182-1			8-21	1
31183-1	3340	063100850	7-7	1
31185-1			7-10	1
31186-1	3320	084413010	9-13	4
31189-1			11-9	1
31192-1			9-4	1
31198-1			7-4	2
31199-1	3320	084413015	9-1	1
31201-1	1760	045730000	9-15	1
31202-1	1760		12-2	4
31203-1			11-8	1
31204-1			9-5	2
31205-1	1760	049201500	40-7	1
31209-1			3-56	2
31215-1	3320	083352975	32-53	1
31216-1				

PART NUMBER	STOCK NO.		FIG. & INDEX	TOTAL PER EQUIP.
	CODE	SERIAL		
31217-2			32-124	1
31219-6			6-1	1
31225-1			12-64	3
31226-1			12-65	1
31227-1	3320	080150800	3-57	1
31227-2	3320	080150810	3-58	1
31227-3	3320	080150820	3-59	1
31227-4	3320	080150830	3-60	1
31227-5	3320	080150840	3-61	1
31231-2			8-23	1
31234-1	3360	396053001	12-1	4
31235-4			32-208	1
31238-4			3-85	1
31239-1	1760	049239030	9-44	3
31240-1			32-1	1
31241-1			41-8	1
31242-1			42-18	1
31244-1	3340	064151050	16-3	1
31245-1	3340	064151060	14-2	1
31246-1	3340	064151070	15-4	2
31248-1	3340	064151080	19-2	1
31249-1	3340	064151090	17-2	1
31250-1	3340	064151100	18-4	2
31251-1	3340	064151110	22-3	1
31252-1	3340	064151120	20-3	1
31253-1	3340	064151130	21-5	2
31254-1	3340	060710790	25-4	1
31255-1	3340	064151140	23-3	1
31256-1	3340	064151150	24-5	2
31257-1	3340	060710800	28-4	1
31258-1	3340	064151160	26-3	1
31259-1	3340	064151170	27-2	2
31260-1	3340	060710810	31-3	1
31261-1	3340	064151180	29-3	1
31262-1	3340	064151190	30-2	2
31275-1			4-56	1
31276-1	1760	045350075	7-2	2
31277-1			9-41	1
31278-1	1760	046240500	10-7	1
31279-1	1760	049200020	9-46	3
31280-3			7-34	1
31281-1	3320	084776010	6-3	2
31282-1	3320	084776015	6-8	1
31283-1	1760	046785100	6-2	2
31285-2			9-45	1
31286-1			5-1	1
31287-1	1760	047270000	9-31	1
31288-1	1760	047271500	9-16	1
31290-1			7-39	2
31291-3			8-33	1
31376-1	1760	049010040	8-12	1
31378-1	3340	062700080	8-15	1
31385-1	1760	049685018	8-37	1
31386-1	1760	049685020	8-35	2
			8-36	
31387-1	1760	297809758	8-34	1
31388-1	1760	049685033	8-41	1
31389-1	1760	049685037	8-39	2
			8-40	
31390-1	1760	049685040	8-38	1
31391-1	1760	049685050	8-45	1
31392-1	1760	049685052	8-43	2
			8-44	
31393-1	1760	049685054	8-42	1
31394-1	1760	049685056	8-49	1
31395-1	1760	049685058	8-47	2
			8-48	
31396-1	1760	049685060	8-46	1

PART NUMBER	STOCK NO.		FIG. & INDEX	TOTAL PER EQUIP.
	CODE	SERIAL		
31397-1	1760	049685070	8-53	1
31398-1	1760	049685080	8-51	2
			8-52	
31399-1	1760	049685090	8-50	1
31403-1	1760	049685130	8-57	1
31404-1	1760	049685140	8-55	2
			8-56	
31405-1	1760	049685150	8-54	1
31409-2			3-80	1
31410-2			4-92	1
31411-1			4-8	1
31412-1			4-59	1
31413-1			4-81	1
31414-1			4-75	1
31415-1	2100	862-165-6	4-71	1
31416-1			4-70	1
31417-1			4-72	6
31418-1			4-78	4
31419-1			4-10	3
31419-2			4-11	1
31420-1			32-29	1
31421-1			32-26	4
31422-1	1760	048496065	32-20	1
31423-1			3-50	1
31424-1	1760	048496070	32-22	2
31425-1			32-23	1
31426-1			32-43	1
31427-1			14-4	4
			17-4	
			20-5	
			23-5	
31428-1			15-6	8
			16-5	
			18-6	
			21-7	
			22-5	
			24-7	
			27-4	
			30-4	
31429-1			26-5	2
			29-5	
31430-1			19-4	4
			25-6	
			28-6	
			31-5	
31431-1			6-19	1
31431-2			6-20	1
31431-3			6-21	1
31432-1			6-24	1
31433-1			3-72	1
31434-1	3320	083351200	3-54	1
31434-2	3320	083352985	3-55	3
31435-1			3-64	1
31436-1			3-68	1
31437-1			3-73	1
31438-1			7-12	1
31439-1			7-13	1
31446-1			3-53	1
31447-1			3-82	1
31449-1	3300	028700033	3-40	1
31452-1			8-4	1
31453-1			3-78	1
31454-1	8880	399650098	6-15	1
31460-1			6-16	1
31462-1			3-62	1
31463-1	1760	045899020	6-10	1
31469-1	3360	395332800	3-77	1

PART NUMBER	STOCK NO.		FIG. & INDEX	TOTAL PER EQUIP.
	CODE	SERIAL		
31469-2	3360	073114202	32-182	1
31469-3	3360	073114204	32-181	1
31470-1			3-66	2
			3-70	
31471-2	2100	2X32-455	42-1	1
31472-1			32-113	1
31476-1			2-4	1
31477-1			2-6	1
31479-1			8-5	1
31480-1			32-194	1
31483-1			4-58	1
31484-1			5-4	2
31488-1	3340	063100110	32-135	2
			32-139	
31492-1	1760	048387010	32-125	1
31493-1	1760	048387015	32-107	1
31494-1	1760	046585275	3-45	1
31495-1	1760	049516040	3-46	1
33	8880	065000-7585	8-6	1
33906-5			7-35	1
33908-1			6-14	1
33910-2			2	1
33911-2			2-1	1
33912-2			3-84	1
33914-1			4-14	1
33915-1			4-39	1
33916-1			4-13	1
33917-1			4-38	1
33922-1	3340	064151200	4-22	1
33924-1	3360	072097021	3-11	1
33926-1			43-7	2
33928-2			43-13	1
33929-2			32-199	1
34001-1	3330	314031021	8-27	1
350-2			3-47	10
4			(See Part No. 16140-2)	
4099	8870	060000-869	32-106	4
415-2			3-49	1
415-3			3-48	3
47	8870	938000-375	3-32	4
			3-33	
			3-34	
			3-35	
4903-2	0801	4903-2	6-12	1
6039-1			3-63	1
78	6700	91173-6	4-33	7
			7-23	
			8-19	
			32-126	
79	6700	191173-58	32-35	4
81			3-79	4
81057N	3360	074033795	32-50	1
8280	3360	395739234	32-47	3
			32-48	
			32-49	
83-168			(See Part No. 16642-1)	
8363	3360	395670331	32-45	1
915-LGB			(See Part No. 16619-5)	
9226-11			32-41	1
9226-13			7-1	4
9748-1	8850	866274	4-60	6
			4-61	
			4-62	
			4-63	
			4-64	
			4-65	